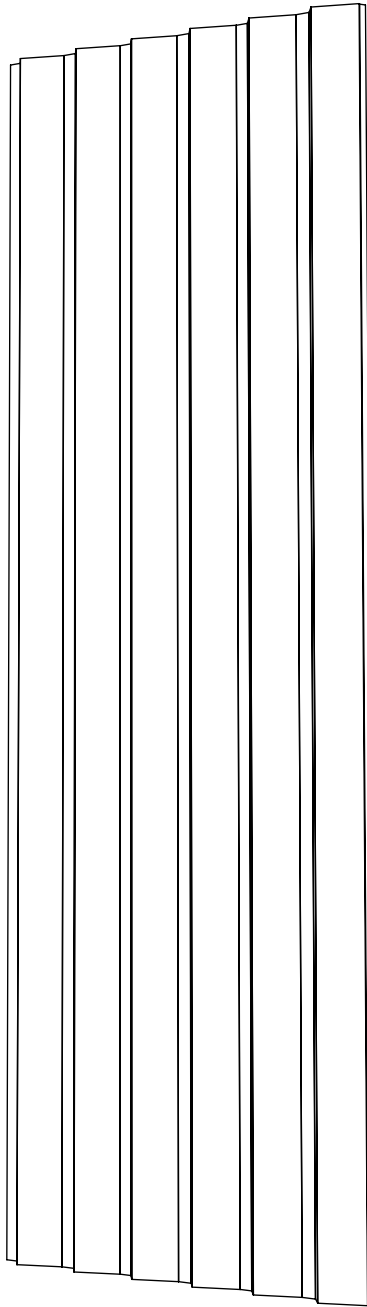


Zintra 3D Wall Panels

Installation Instructions

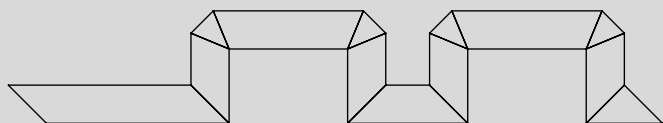
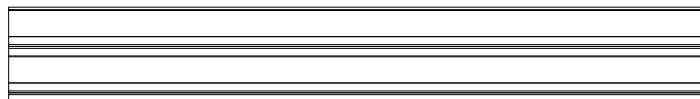


PERSPECTIVE
TYPICAL SHOWN: PEAK

PARTS AND HARDWARE

ZINTRA 3D WALL PANEL - FLAT PACKED

TYPICAL DESIGN SHOWN - REFER BELOW



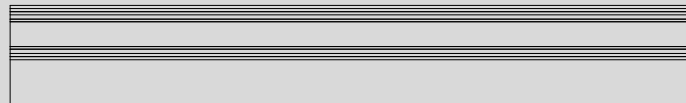
BATTEN 2 SIDE PROFILE



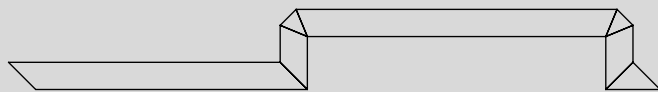
BATTEN 4 SIDE PROFILE



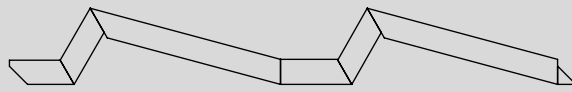
BATTEN 2 - FLAT PATTERN



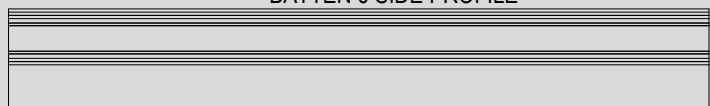
BATTEN 4 - FLAT PATTERN



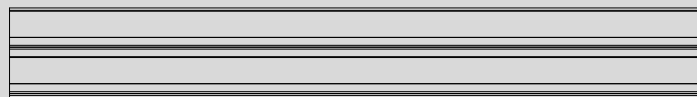
BATTEN 6 SIDE PROFILE



PEAK SIDE PROFILE



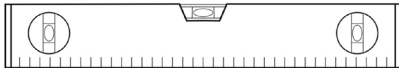
BATTEN 6 - FLAT PATTERN



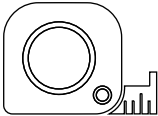
PEAK - FLAT PATTERN

YOU WILL NEED

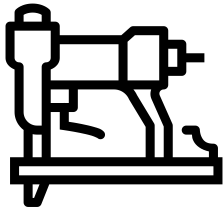
SPIRIT LEVEL



TAPE MEASURE



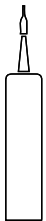
AIR STAPLER + SUITABLE STAPLES (6000 SERIES STAPLES L16-40MM RECOMMENDED)



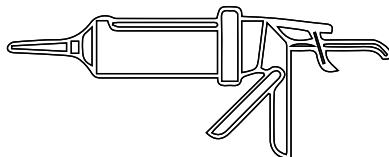
CHISEL



LOCTITE POWER GRAB EXPRESS HEAVY DUTY CONSTRUCTION ADHESIVE



APPROPRIATE APPLICATOR



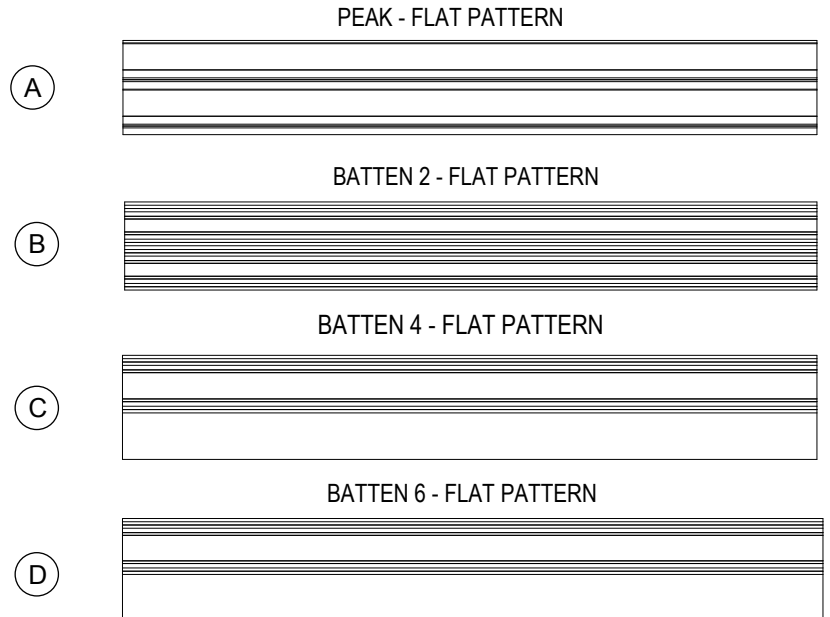
NOTE: RECOMMENDED 2 PEOPLE ASSEMBLY

Zintra 3D Wall Panels Installation Instructions

STEP 1

CHECK TO SEE IF PACKAGE CONTAINS THE 3D PANEL THAT WAS ORDERED.

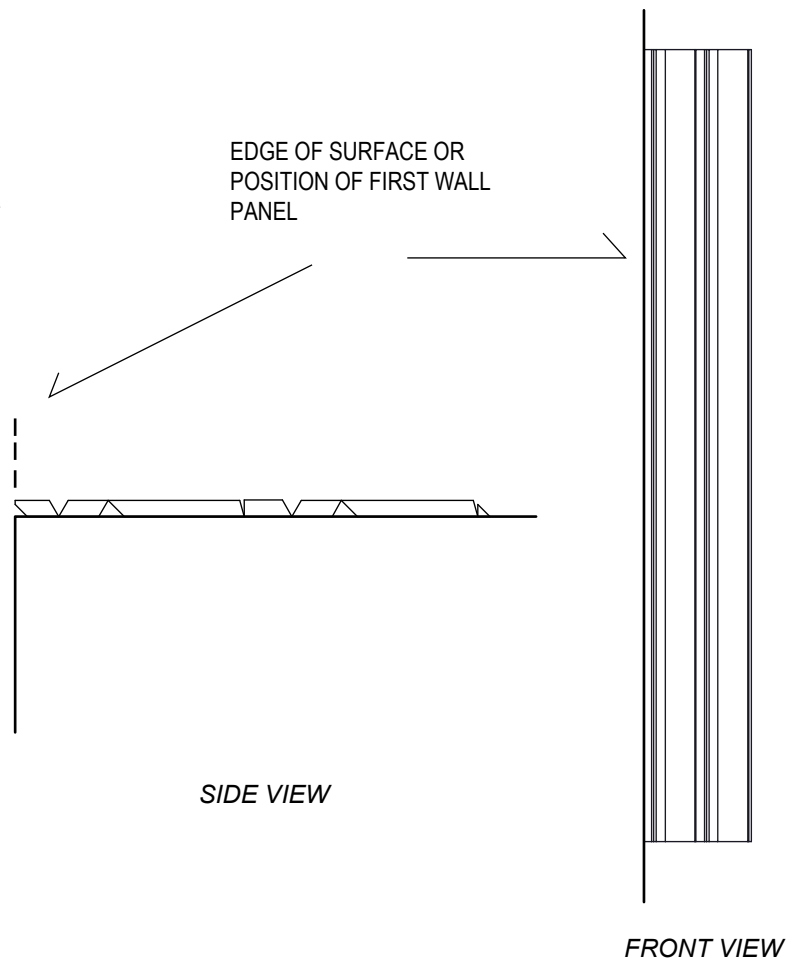
IT WILL COME AS A FLAT SHEET (UNFOLDED).



STEP 2

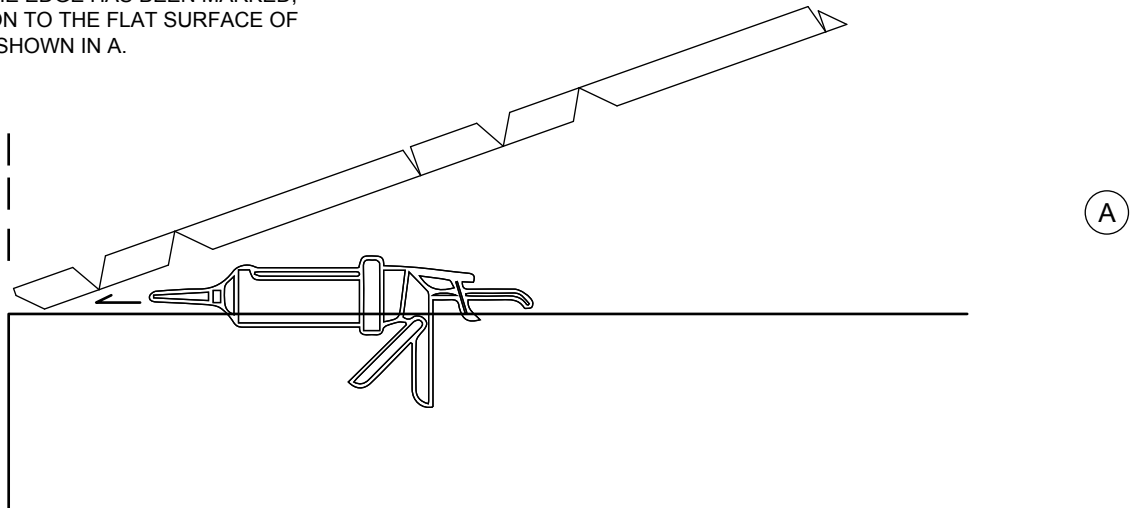
START BY ALIGNING THE LEFT SIDE OF THE FLAT SHEET TO THE EDGE OF THE SURFACE IT WILL BE FIXED TO.

USE A SPIRIT LEVEL OR LASER LEVEL TO ENSURE IT IS STRAIGHT.

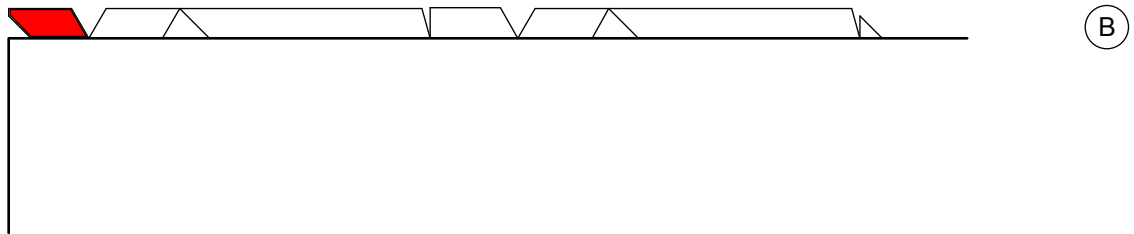


STEP 3

ONCE ALIGNED OR THE EDGE HAS BEEN MARKED, APPLY CONSTRUCTION TO THE FLAT SURFACE OF THE WALL PANEL AS SHOWN IN A.

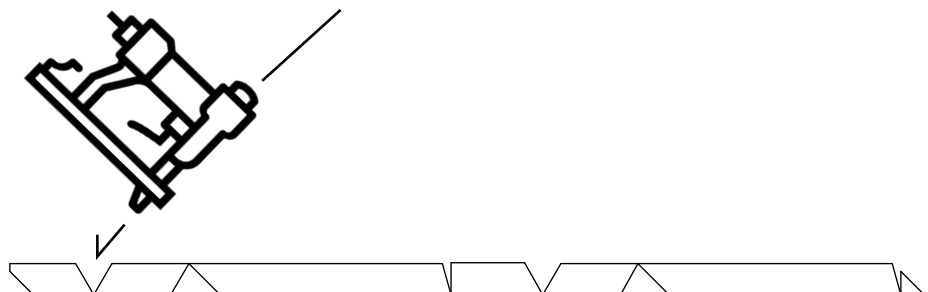


NOTE: ADHESIVE SHOULD ONLY BE APPLIED TO PART HIGHLIGHTED BELOW



STEP 4

TO SECURE THE PANEL EVEN FURTHER, STAPLE INSIDE THE GROOVE SO WHEN IT FOLDS THE STAPLES ARE NOT VISIBLE.

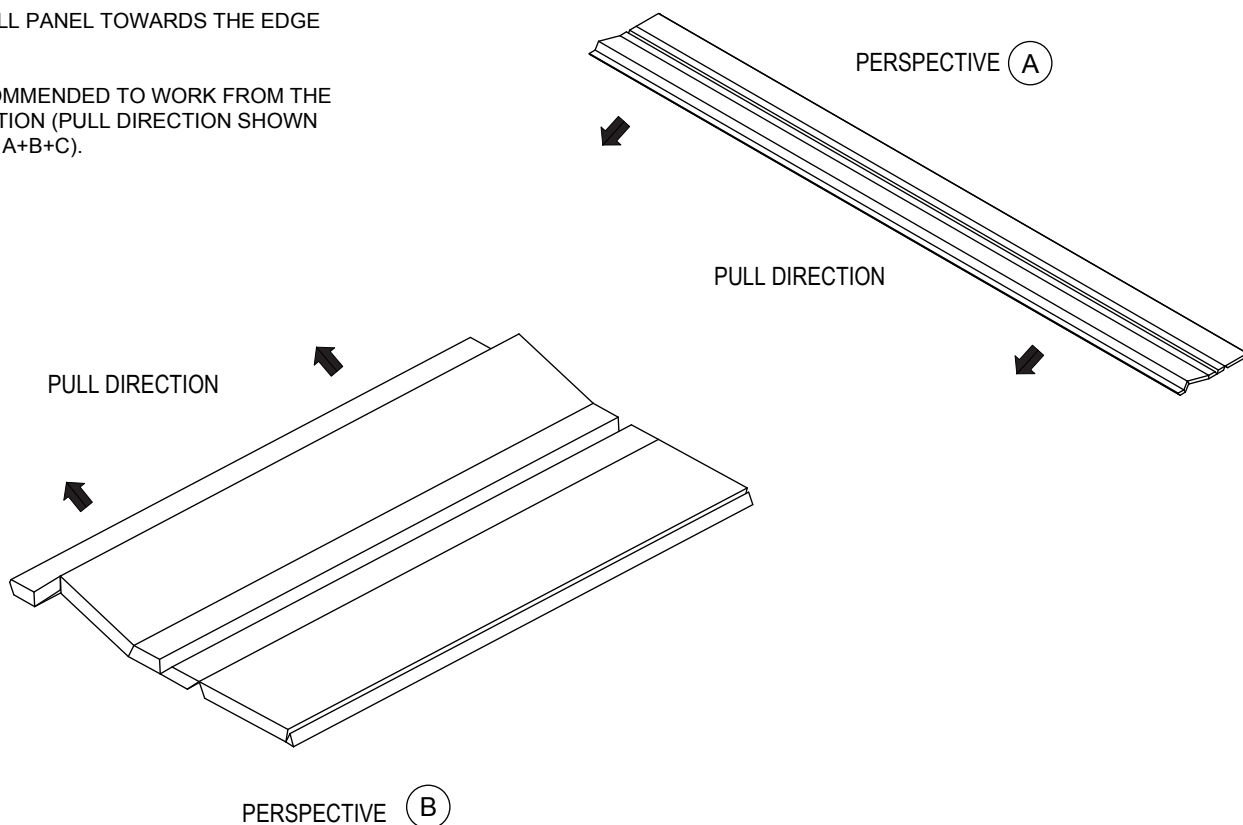


Zintra 3D Wall Panels Installation Instructions

STEP 5

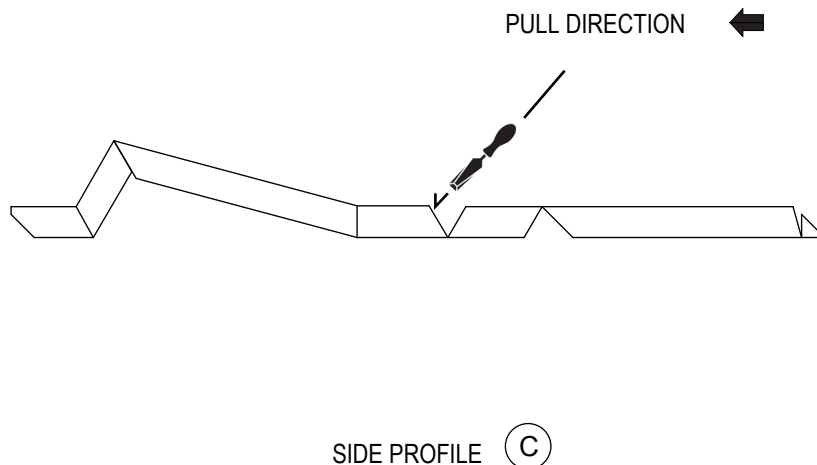
PULL 3D WALL PANEL TOWARDS THE EDGE DIRECTION.

NOTE: RECOMMENDED TO WORK FROM THE PULL DIRECTION (PULL DIRECTION SHOWN IN DIAGRAM A+B+C).



USE A CHISEL TO PULL IT FIRMLY TOWARDS THE EDGE WITHOUT LEAVING ANY GAPS (SHOWN IN C).

IMPORTANT: DIG THE EDGE OF CHISEL INTO THE GROOVE OF THE 3D WALL PANEL SO THE CHISEL MARKINGS ARE NOT VISIBLE ONCE THE WALL PANEL IS ASSEMBLED.

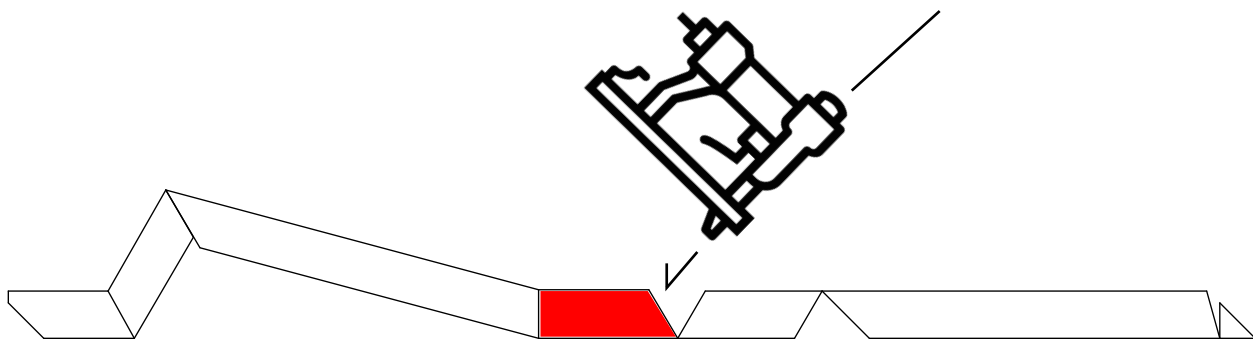


Zintra 3D Wall Panels Installation Instructions

STEP 6

ONCE THE PANEL IS PULLED TIGHTLY, GET THE SECOND PERSON ASSEMBLING TO APPLY ADHESIVE UNDERNEATH THE FLAT PART SECTION (HIGHLIGHTED BELOW).

AFTER, STAPLE INSIDE THE GROOVE TO SECURE THE WALL PANEL FROM MOVING (REPEAT STEP 3-4).

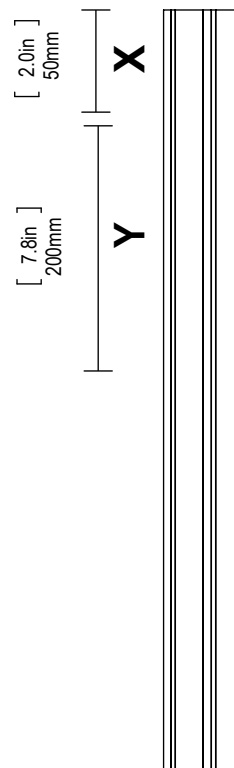


SIDE PROFILE

RECOMMENDED:

STAPLE 50MM FROM THE EDGE (X)

STAPLE 200MM BETWEEN EACH STAPLE (Y)



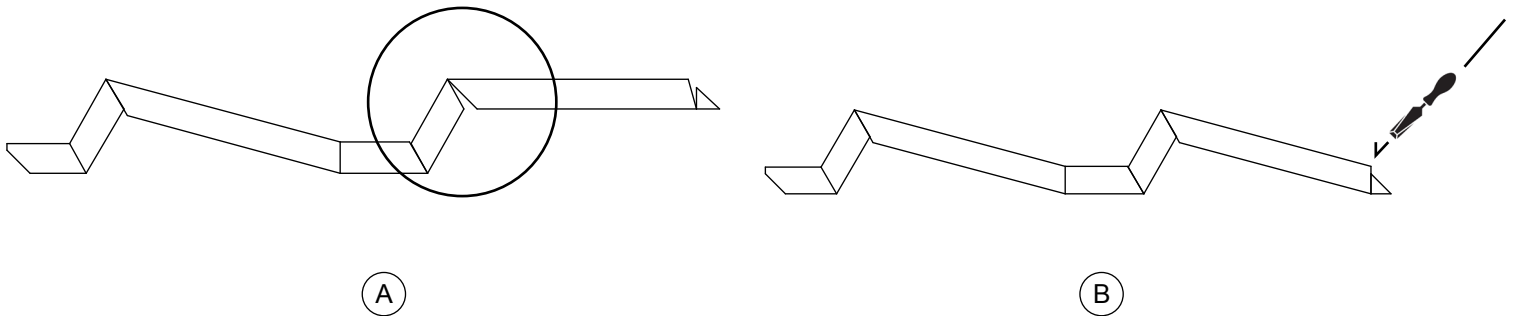
TYPICAL SHOWN: PEAK

FRONT PROFILE

STEP 7

CONTINUE TO PULL THE OTHER END OF THE WALL PANEL TOWARDS THE EDGE USING THE CHISEL. MAKE SURE IT IS AS TIGHT AS THE FIRST SIDE.

PULL USING CHISEL
INSIDE GROOVE

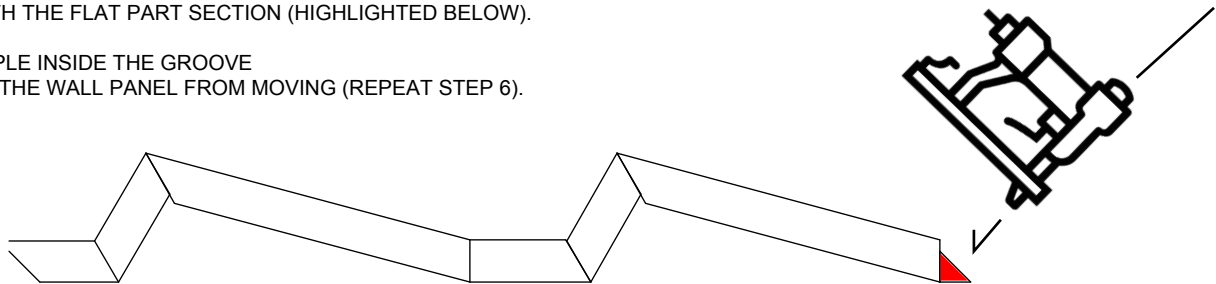


SIDE PROFILE

STEP 8

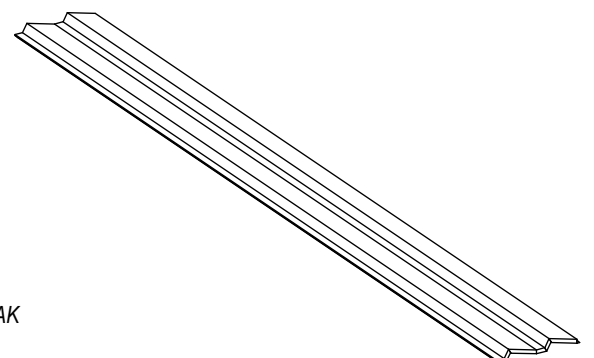
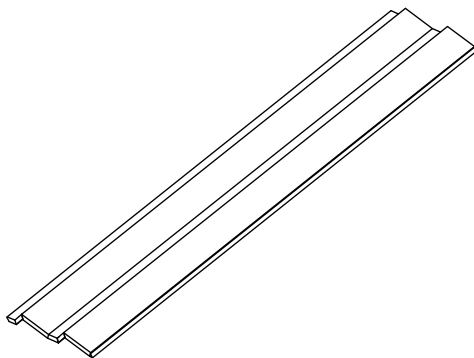
ONCE THE PANEL IS PULLED TIGHTLY, GET THE SECOND PERSON ASSEMBLING TO APPLY ADHESIVE UNDERNEATH THE FLAT PART SECTION (HIGHLIGHTED BELOW).

AFTER, STAPLE INSIDE THE GROOVE TO SECURE THE WALL PANEL FROM MOVING (REPEAT STEP 6).



PERSPECTIVE 1

PERSPECTIVE 2

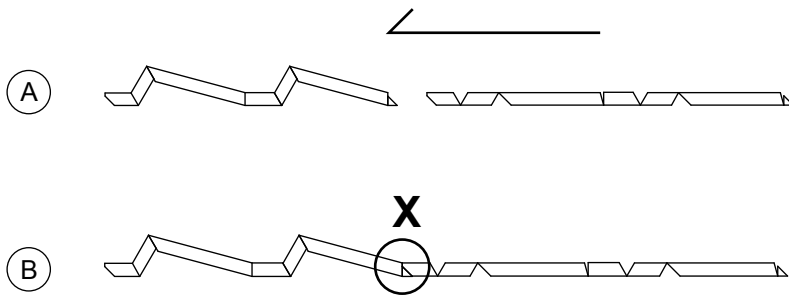


TYPICAL SHOWN: PEAK

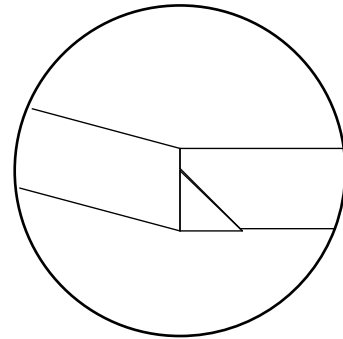
NOTE: STEP 9 ONWARDS IS WHEN ASSEMBLING MORE THAN 1 3D PANEL

STEP 9

ALIGN THE NEW FLAT PANEL TO THE EDGE OF
ALREADY ASSEMBLED PANEL AS SHOWN IN DETAIL
X

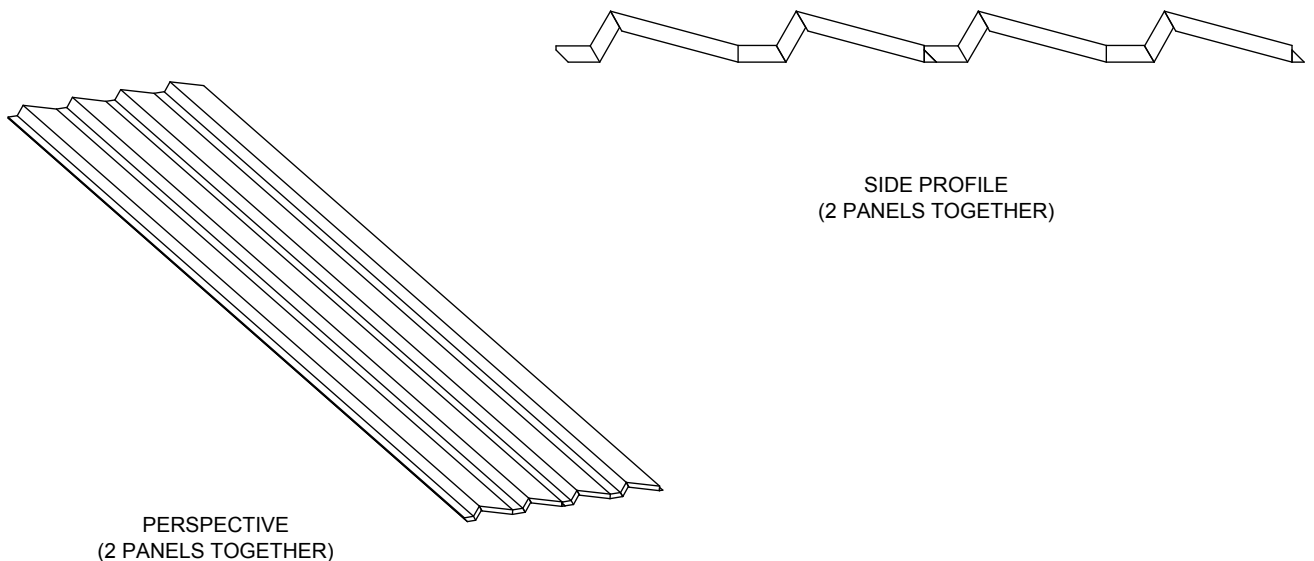


DETAIL X



STEP 10

REPEATS STEP 3 THROUGH TO 8 ENSURING
THE PANELS ARE PULLED TIGHTLY TOGETHER
WITHOUT LEAVING ANY GAPS IN THE ASSEMBLY.



PERSPECTIVE
(2 PANELS TOGETHER)

SIDE PROFILE
(2 PANELS TOGETHER)

TYPICAL SHOWN: PEAK