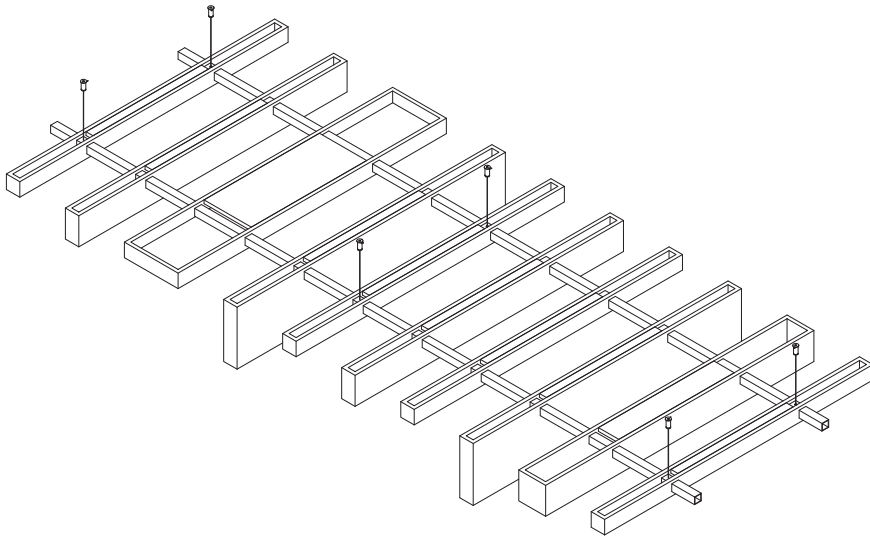


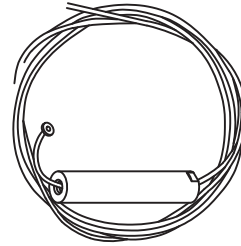
Zintra Box Baffle Installation Instructions

FINISHED ASSEMBLY

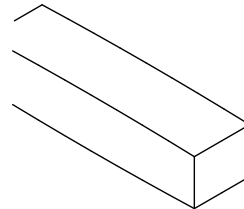


Note: Assembly image is for reference only

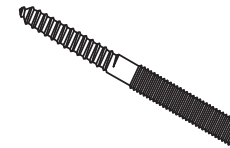
PARTS LIST



CABLE



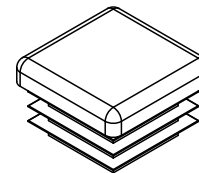
CONNECTORS



HANGER BOLTS



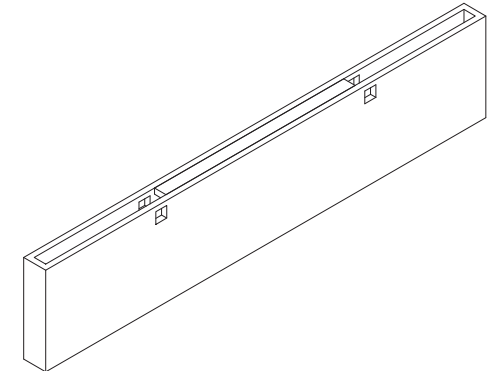
ADJUSTABLE FASTENER



END CAPS



CROSSRUNNER
SIZE, COLOUR AND FINISH AS PER SPECIFICATION



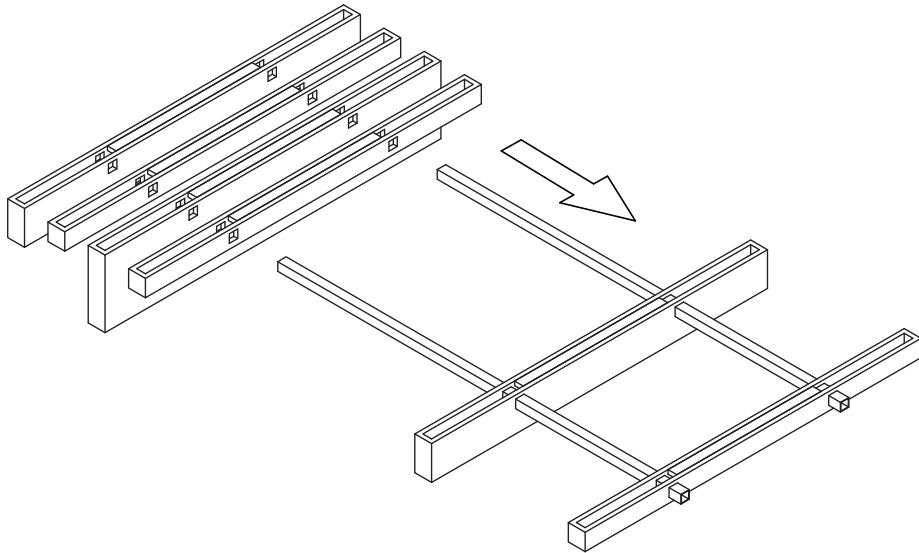
TYPICAL BOX BAFFLE
SIZE, COLOUR AND FINISH AS PER SPECIFICATION

Zintra Box Baffle Installation Instructions

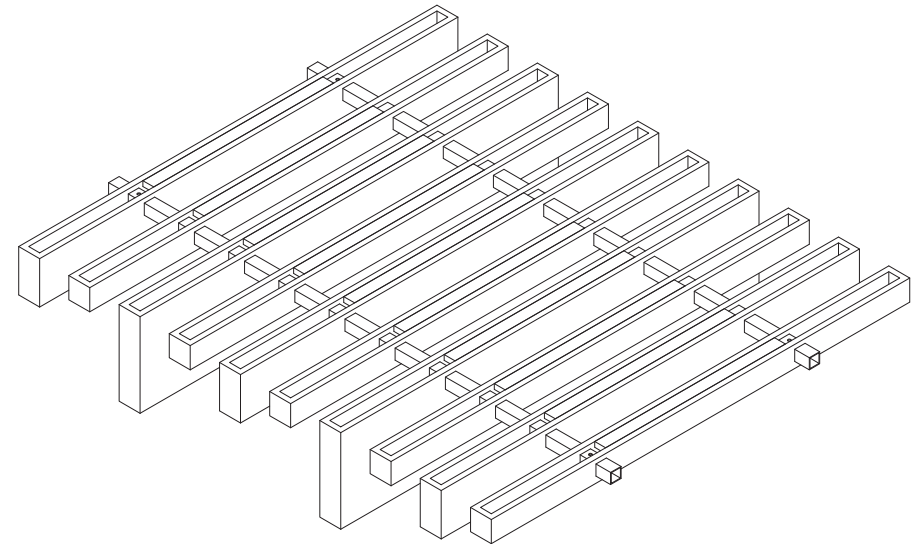
STEP 1

Thread each Box Baffle onto the square crossrunners as per the design specified by client.

Note: spacing is not pre-determined, please refer to design from specifier for spacing dimensions



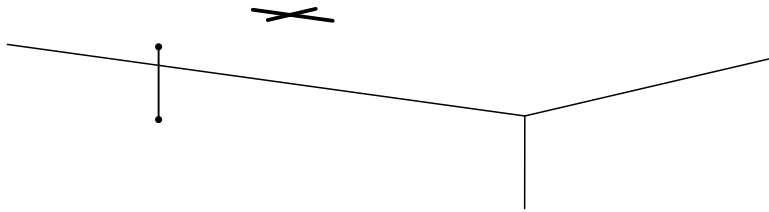
STEP 2



*Above arrangement is for reference only to show an assembled system. Refer to specification for correct arrangement and spacing of your Box Baffle system.

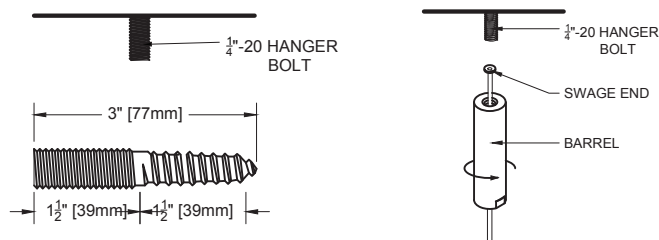
Zintra Box Baffle Installation Instructions

STEP 3



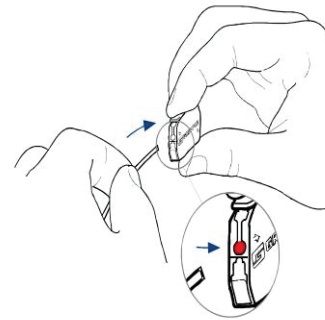
Place cloud assembly up to ceiling in desired location. Mark position of 2 x through holes which correspond to the center of each “set” of mounting slits on the mounting profile. Test that hole position is correct by temporarily suspending cloud on wires as shown in STEP 7 & 8.

STEP 4



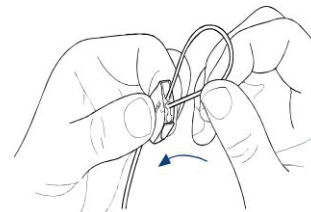
Install the 1/4”-20 hanger bolts to the substrate. The supplied hanger bolts are intended for use in wood only. For other substrates the installer will need to source the appropriate hardware.

STEP 5



Feed swaged wire through tip of ‘wire adjuster’ (as shown). Push button (shown in grey) to adjust wire length. Release the button to lock in place.

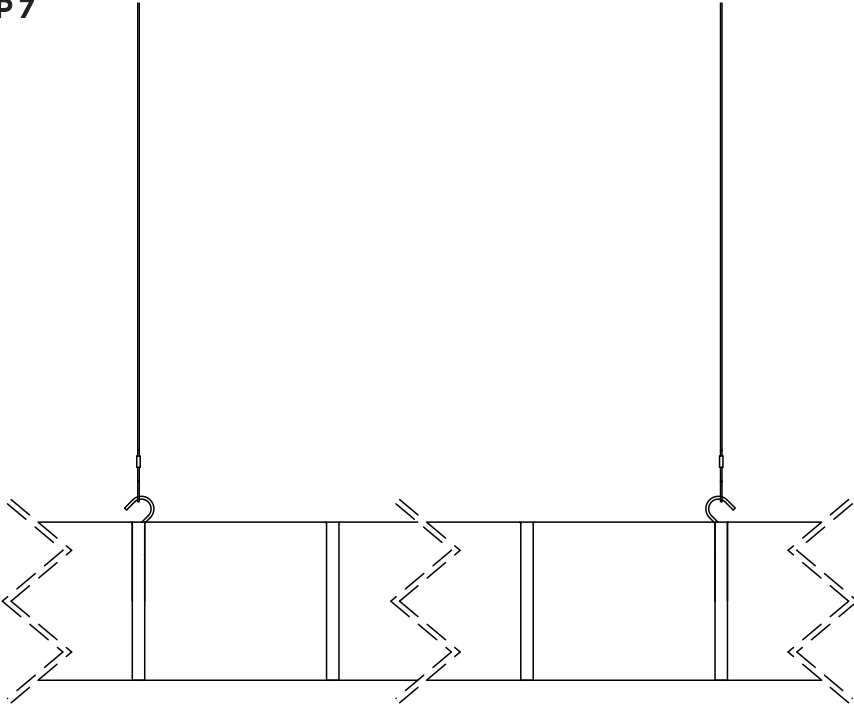
STEP 6



Insert the plain end of the cable through one side of the adjustable fastener. Loop the wire through the hole in the mounting profile and around the edge of the mounting profile at the predetermined locations. Re-insert the plain end of the cable through the remaining side of the adjustable fastener.

Zintra Box Baffle Installation Instructions

STEP 7

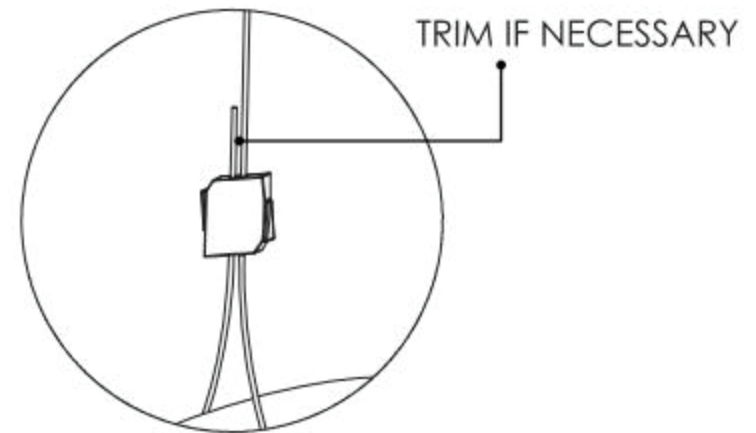


Re-adjust wire length as explained in STEP 5 until you are satisfied with the hanging height.

Note: There are two orientation options

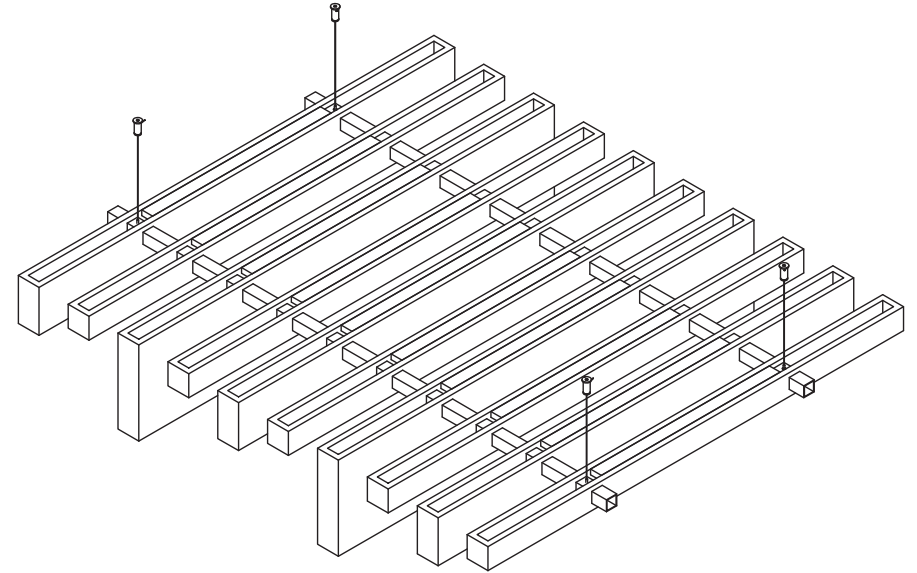
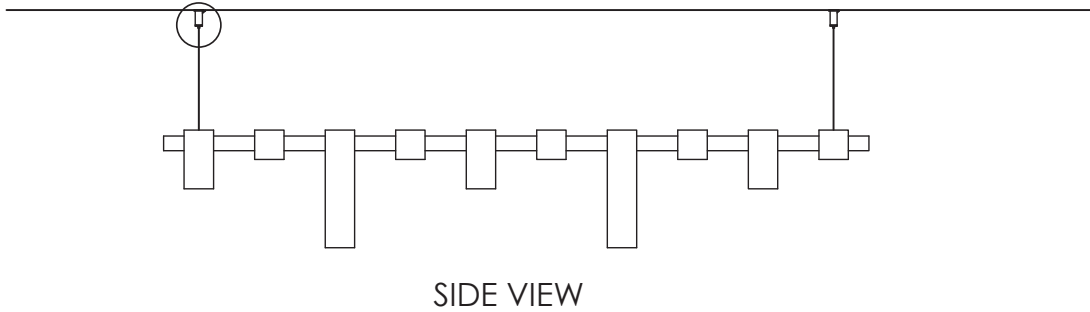
*Please note, above linework is representative only. Your cloud may not be depicted.

STEP 8



Once the Cloud is properly suspended, trim the excess cable. The cable is adjustable by depressing tab on appropriate side.

Zintra Box Baffle Installation Instructions



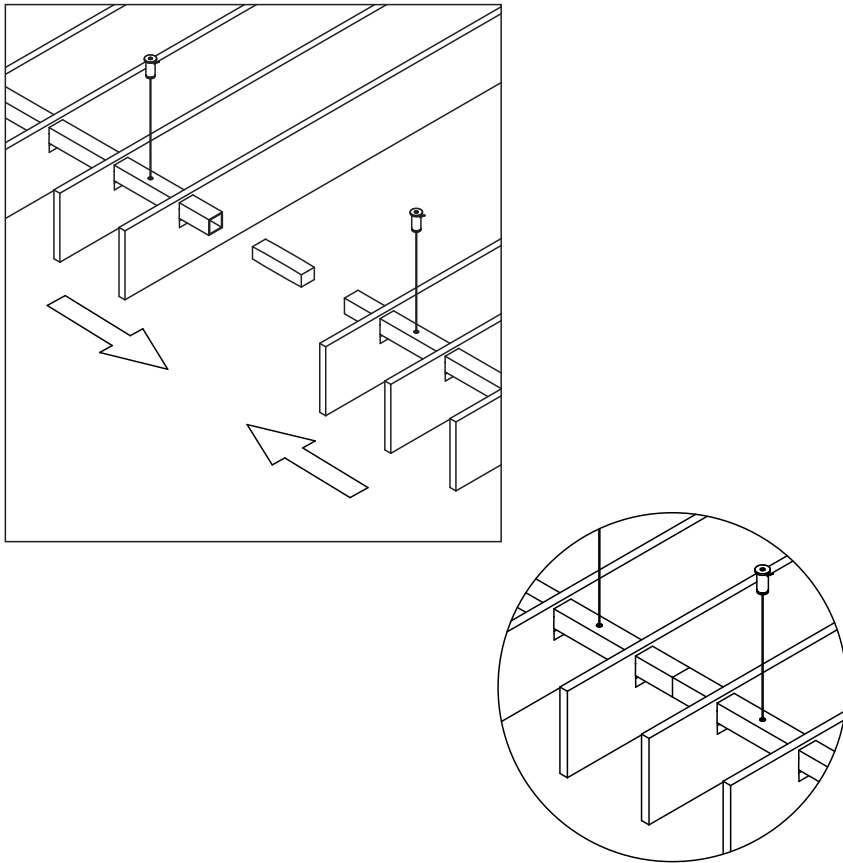
Note: Assembly image is for reference only

COMPLETED INSTALL

Zintra Box Baffle Installation Instructions

CONNECTOR DETAIL

To connect multiple baffle assemblies together, insert connectors into open ends of square mounting beams and push assemblies together as shown.



CAPPING DETAIL

To cap ends of baffle assembly- insert end caps provided as shown.

