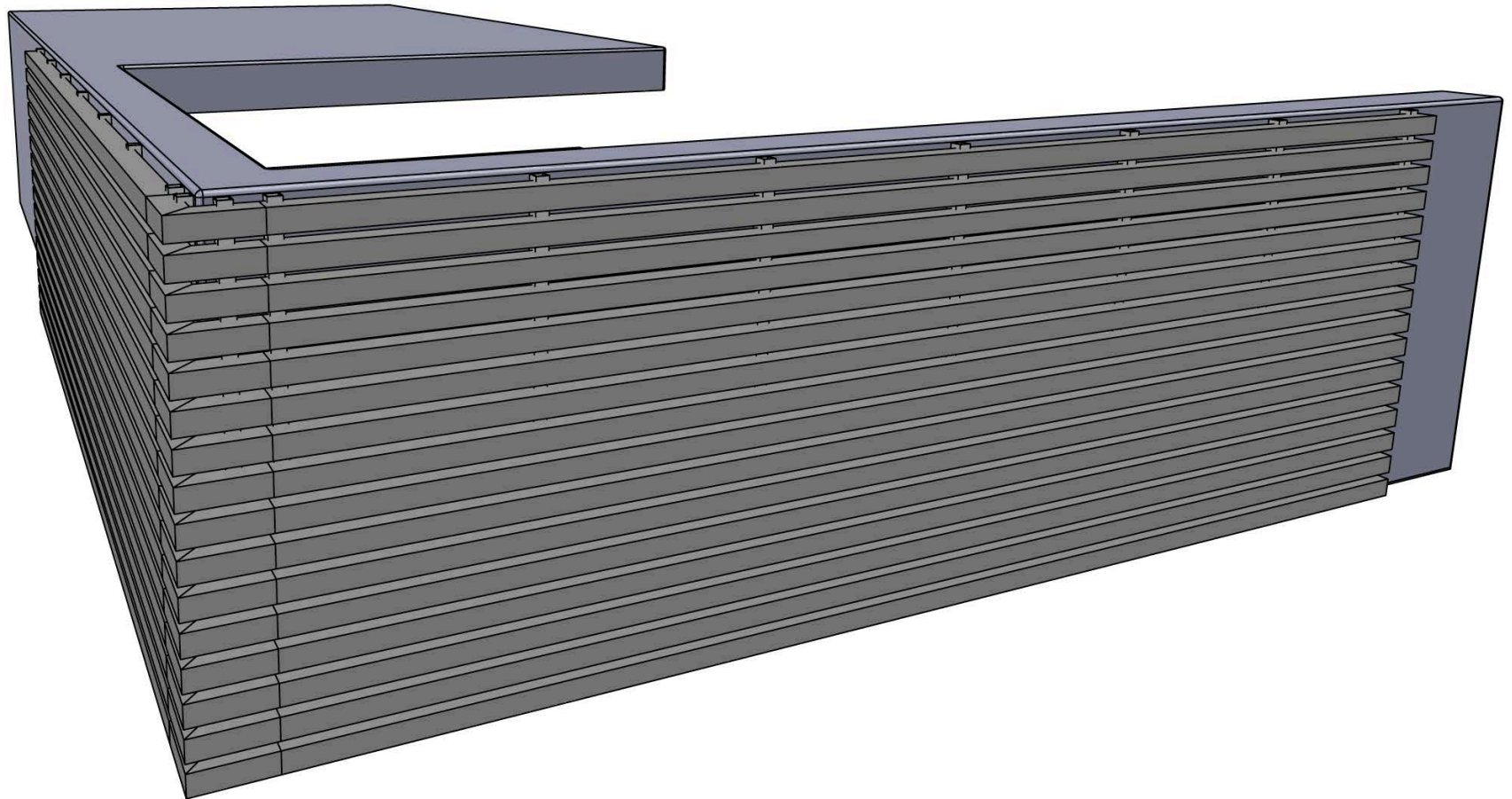


# Zintra Sticks Landscape External Corner **Installation Instructions**

**FINISHED ASSEMBLY**

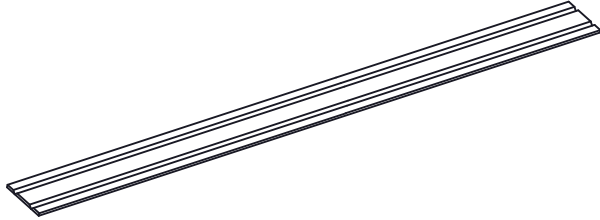


# Zintra Sticks Landscape External Corner Installation Instructions

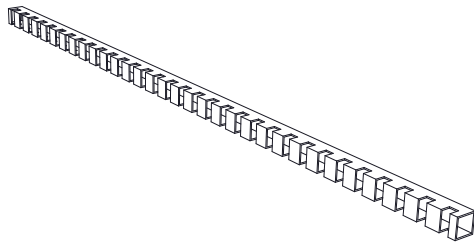
## PARTS AND HARDWARE

FOR A TYPICAL ASSEMBLY

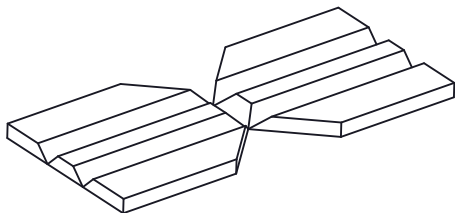
ZINTRA STICKS - (16) WIDE OR (32) NARROW



(16) STANDARD ALUMINIUM TUBE WITH NOTCH



EXTERNAL CORNER - (8) WIDE OR (16) NARROW



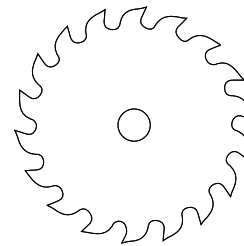
## YOU WILL NEED

(32) SUITABLE SCREWS

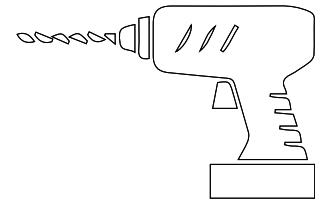
SCREWS ARE NOT INCLUDED - INSTALLER TO SUPPLY BASED ON FIXING SUBSTRATE



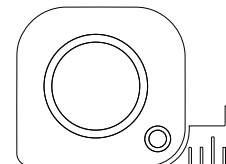
DROP SAW WITH SUITABLE BLADE FOR ALUMINIUM CUTTING



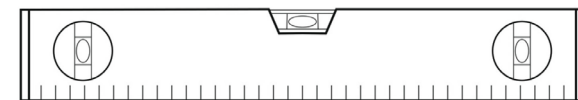
DRILL



TAPE MEASURE



LEVEL



# Zintra Sticks Landscape External Corner **Installation Instructions**

## STEP 1

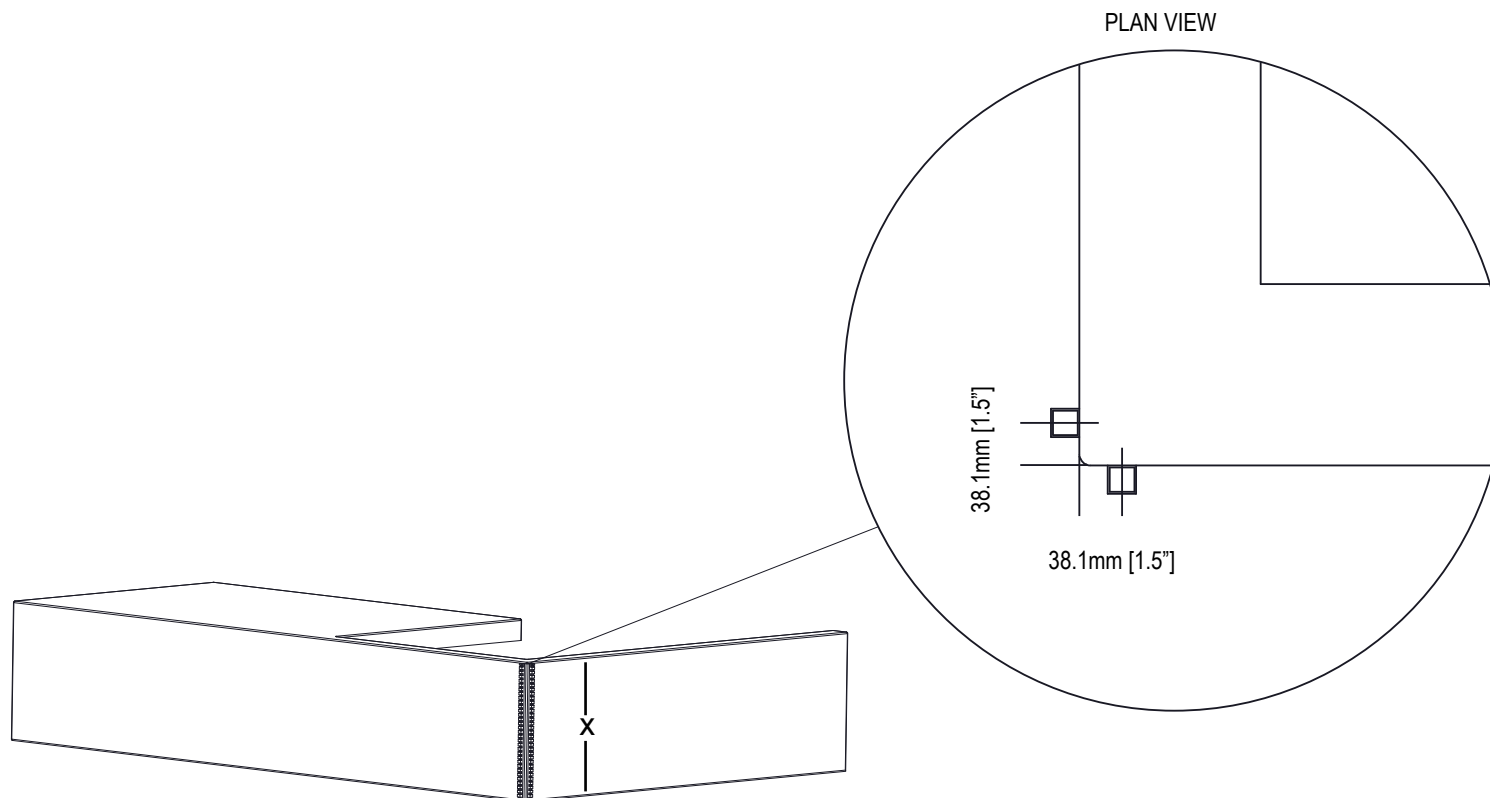
MEASURE THE HEIGHT [X] OF THE INSTALL AND CUT THE ALUMINIUM TO SUIT

NOTE: AFTER MEASURING AND MARKING WHERE TO CUT THE ALUMINIUM TUBE, COUNT THE NUMBER OF NOTCHES TO ENSURE IT WILL SUIT THE QUANTITY OF STICKS REQUIRED. FOR EXAMPLE, A WIDE STICK USES 4 NOTCHES, THEREFORE THE NOTCHES IN THE ALUMINIUM TUBE WILL NEED TO EQUAL A MULTIPLE OF 4.

USE A LASER LEVEL OR SPIRIT LEVEL TO MARK ALUMINIUM POSITION ON THE WALL.

IT IS BEST TO START FROM THE CORNER OF THE WALL AND WORK OUTWARDS.

THE FIRST (2) ALUMINIUM TUBES ARE LOCATED 38.1mm [1.5"] FROM THE CORNER OF THE WALL TO THE TUBE CENTER (1 ON EACH SIDE) AS SHOWN.



# Zintra Sticks Landscape External Corner Installation Instructions

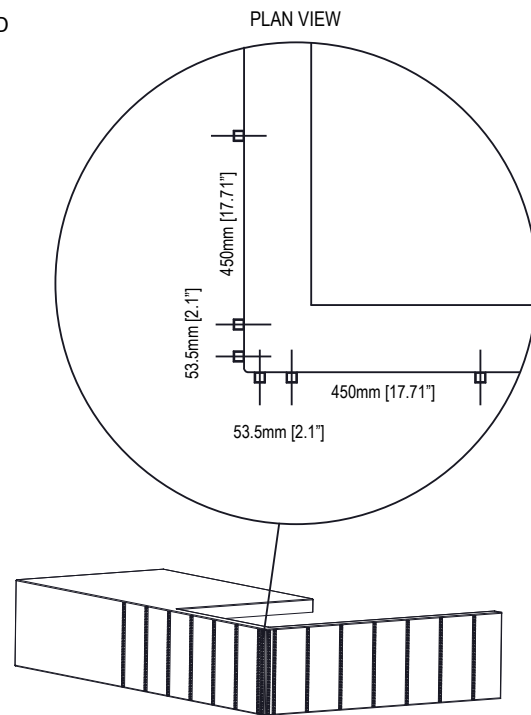
## STEP 2

CONTINUE MARKING TUBE LOCATIONS ALONG THE WALL AT A MAXIMUM OF 450MM [17.71"] CENTER SPACING (THIS IS ADJUSTABLE TO SUIT WALL SUPPORT/STUD LOCATIONS IF REQUIRED)

MAX DISTANCE FROM FIRST TUBE CENTER TO SECOND TUBE CENTRE IS 53.54mm [2.1"]

NOTE: TUBES CAN BE SHARED BETWEEN STICKS AT THE STICK JOIN TO HELP HOLD THE JOIN TOGETHER.

MAX DISTANCE BETWEEN END OF STICK AND TUBE CENTRE (CANTILEVER SPAN) IS 150mm [5.9"]



## STEP 3

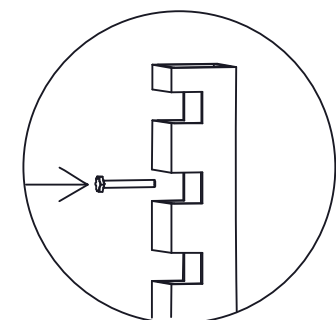
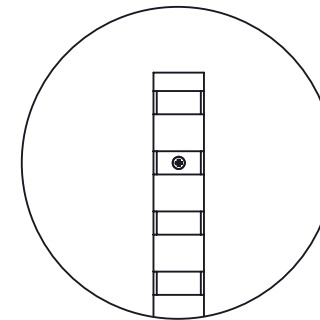
DRILL HOLES IN ALUMINIUM TUBES IN LOCATIONS TO SUIT SUPPORT IN WALL (STUD LOCATION ETC)

SCREW ALUMINIUM TUBES TO WALL

DRYWALL SURFACE: USE DRYWALL ANCHOR AND SUITABLE SCREW

TIMBER SURFACE: USE SELF TAPPING TIMBER SCREW

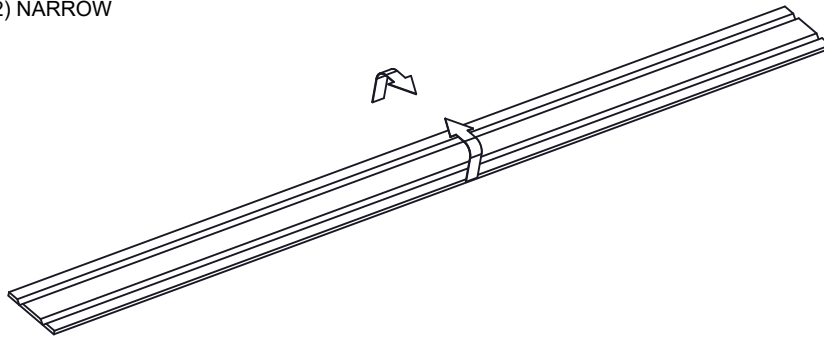
MASONRY SURFACE: USE MASONRY ANCHOR AND SUITABLE SCREW



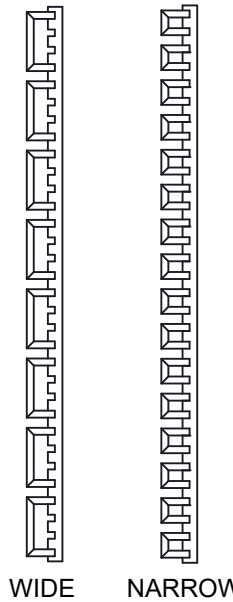
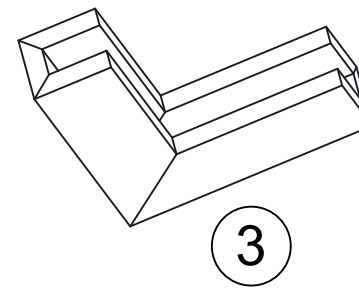
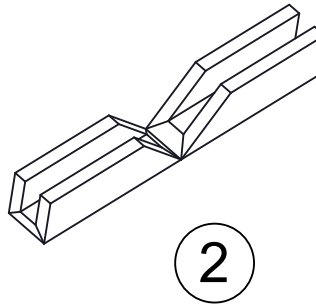
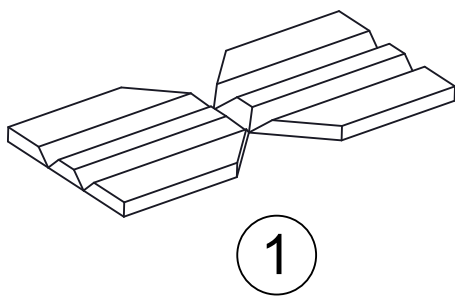
# Zintra Sticks Landscape External Corner Installation Instructions

## STEP 4

FOLD ZINTRA STICKS - (16) WIDE OR  
(32) NARROW



FOLD ZINTRA STICKS - LANDSCAPE EXTERNAL CORNER  
(8) WIDE OR (16) NARROW

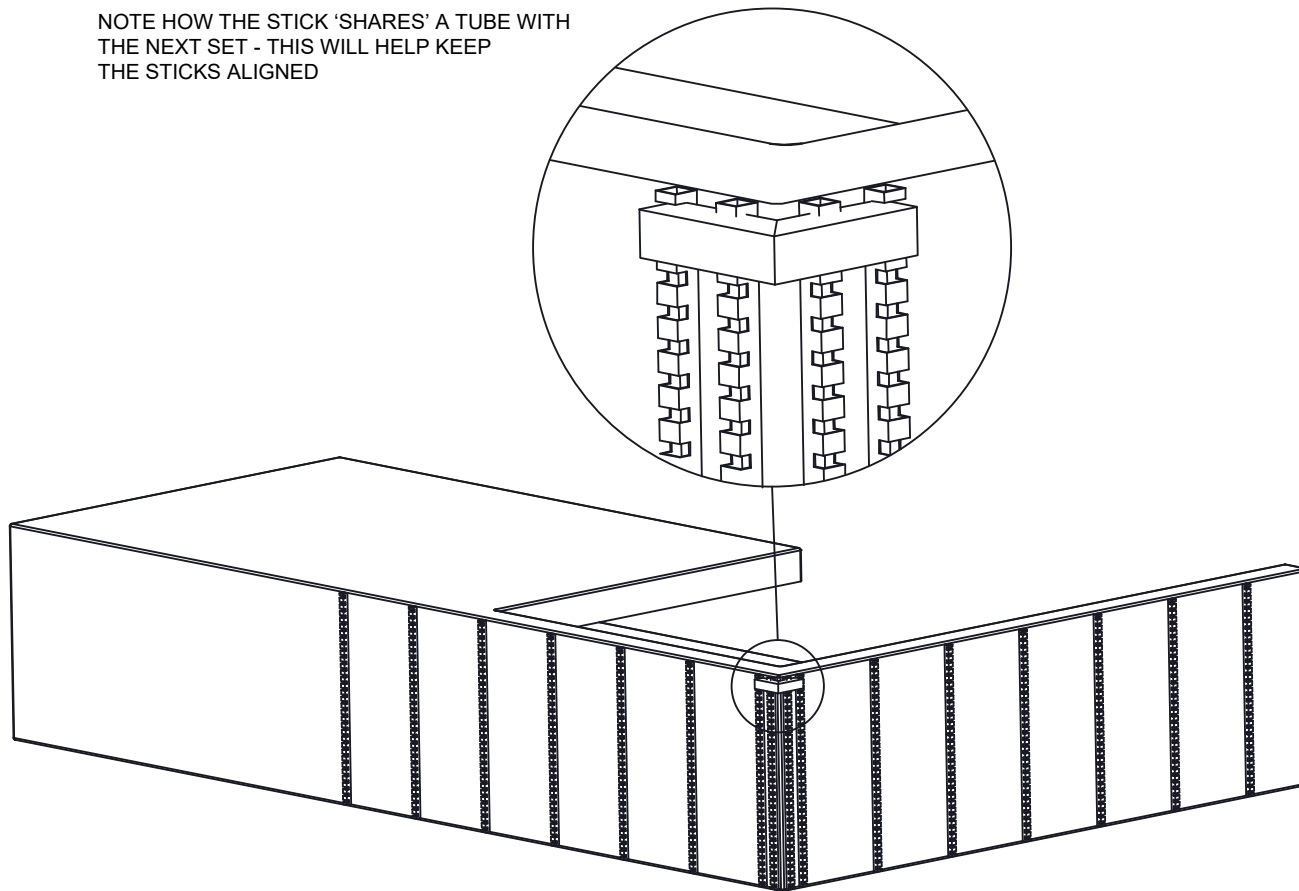


# Zintra Sticks Landscape External Corner Installation Instructions

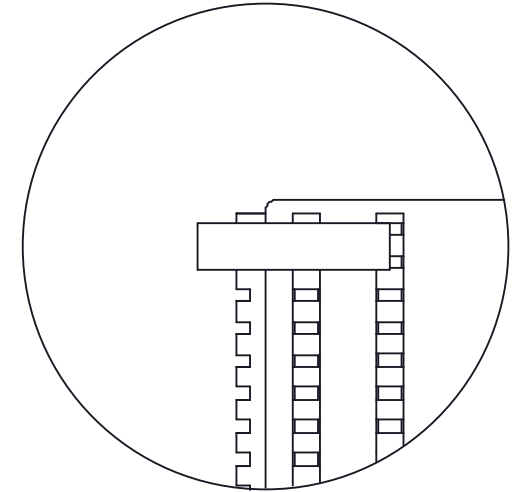
## STEP 5

INSERT EXTERNAL CORNER PIECES INTO THE CORNER ALUMINIUM TUBE NOTCHES

NOTE HOW THE STICK 'SHARES' A TUBE WITH THE NEXT SET - THIS WILL HELP KEEP THE STICKS ALIGNED



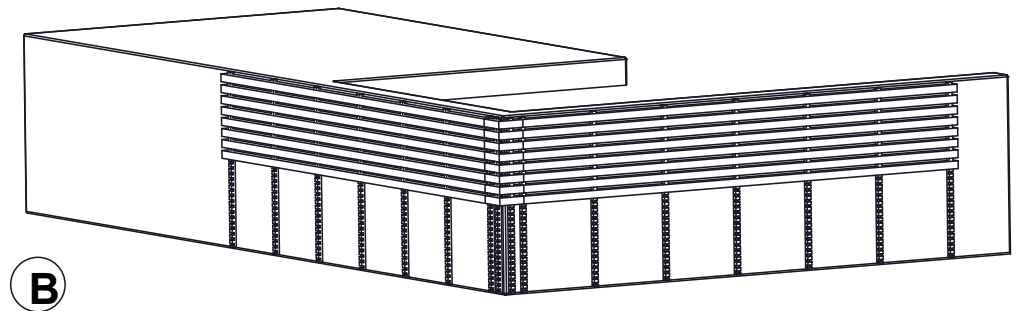
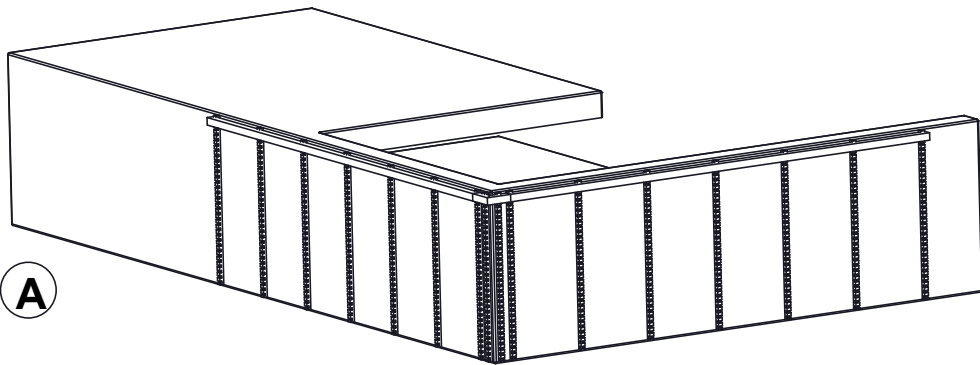
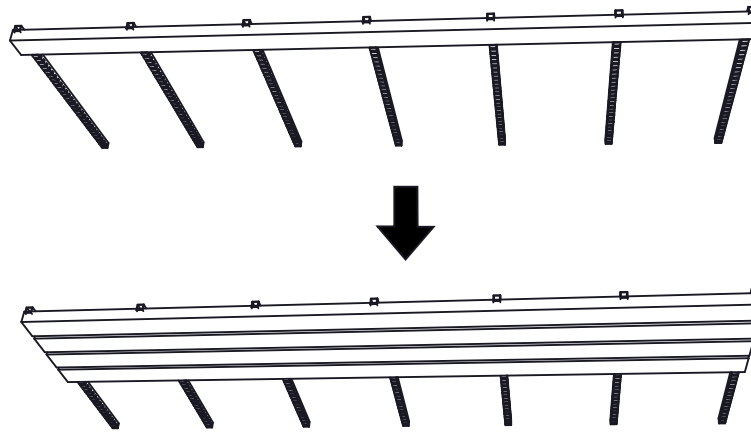
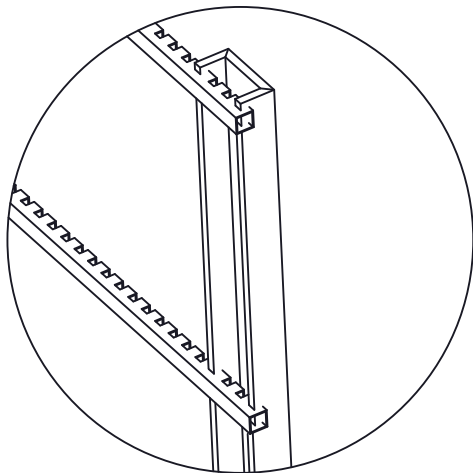
SIDE VIEW



# Zintra Sticks Landscape External Corner Installation Instructions

## STEP 6

INSERT ALL STICKS INTO ALUMINIUM TUBES  
AS SHOWN BELOW



# Zintra Sticks Landscape External Corner **Installation Instructions**

## Finished Assembly

