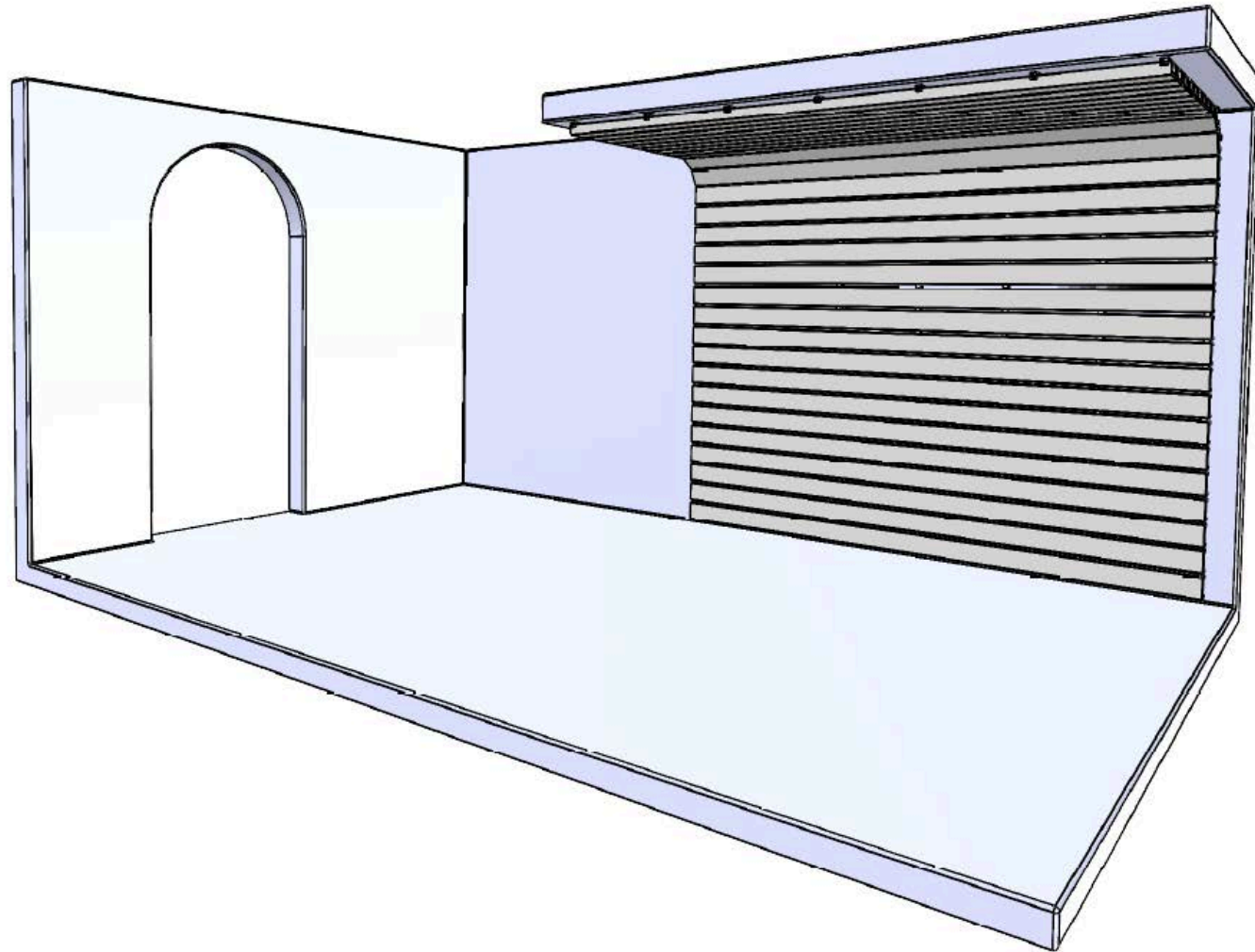


Zintra Sticks Landscape Transition **Installation Instructions**

FINISHED ASSEMBLY

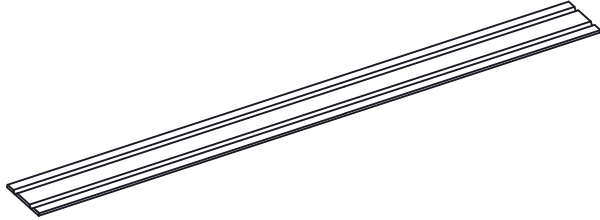


Zintra Sticks Landscape Transition Installation Instructions

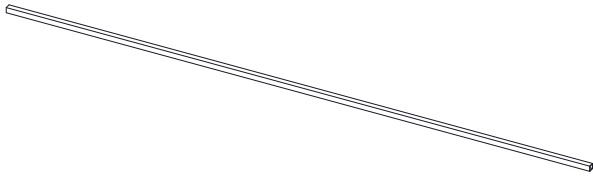
PARTS AND HARDWARE

FOR A TYPICAL ASSEMBLY

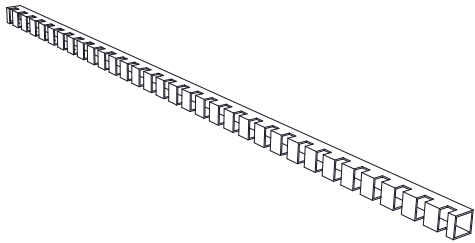
ZINTRA STICKS - (28) WIDE OR (55) NARROW



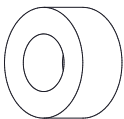
(2) STANDARD ALUMINIUM TUBE WITHOUT NOTCH



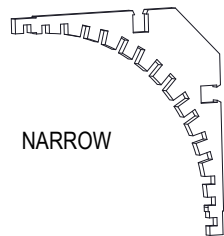
(21) STANDARD ALUMINIUM TUBE WITH NOTCH



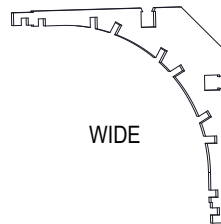
(14) NYLON UNTHREADED SPACERS



(7) CORNER ZINTRA SUPPORTS



NARROW



WIDE

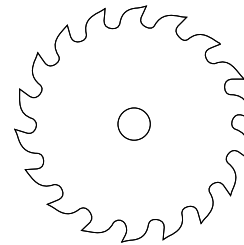
YOU WILL NEED

(14) SUITABLE SCREWS

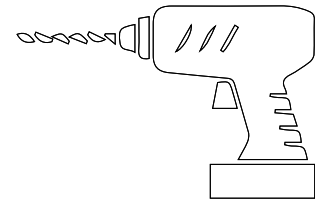
SCREWS ARE NOT INCLUDED - INSTALLER TO SUPPLY BASED ON FIXING SUBSTRATE



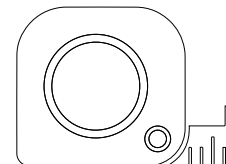
DROP SAW WITH SUITABLE BLADE FOR ALUMINIUM CUTTING



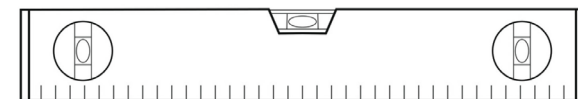
DRILL



TAPE MEASURE



LEVEL



Zintra Sticks Landscape Transition Installation Instructions

STEP 1

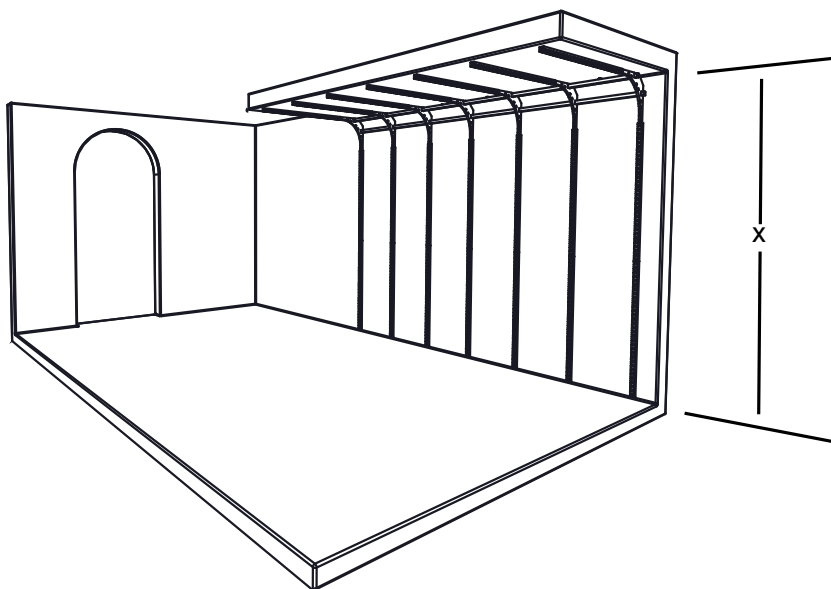
MEASURE THE WIDTH [X] OF THE INSTALL AND CUT THE ALUMINIUM TO SUIT

NOTE: AFTER MEASURING AND MARKING WHERE TO CUT THE ALUMINIUM TUBE, COUNT THE NUMBER OF NOTCHES TO ENSURE IT WILL SUIT THE QUANTITY OF STICKS REQUIRED. FOR EXAMPLE, A WIDE STICK USES 4 NOTCHES, THEREFORE THE NOTCHES IN THE ALUMINIUM TUBE WILL NEED TO EQUAL A MULTIPLE OF 4.

USE A LASER LEVEL OR SPIRIT LEVEL TO MARK ALUMINIUM POSITION ON THE WALL.

MAX DISTANCE FROM TUBE CENTERS IS 450mm [17.71"]

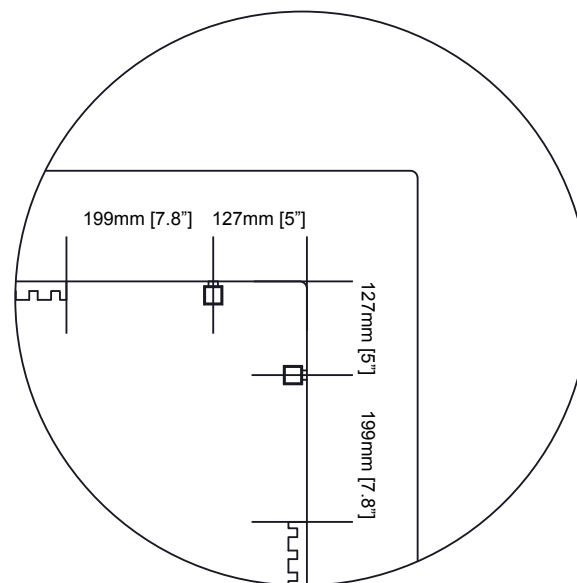
MAX DISTANCE BETWEEN END OF STICK AND FIRST TUBE CENTER IS 150mm [5.9"]



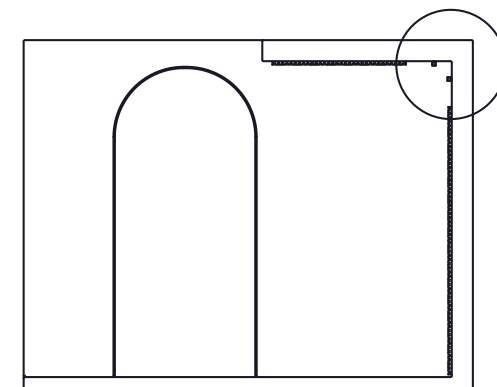
STEP 2

CONTINUE MARKING TUBE LOCATIONS ALONG THE INSIDE OF THE WALL AT A MAXIMUM OF 127mm [5"] CENTER SPACING. THE TUBE CENTER WILL ALSO ACT AS THE LOCATION FOR THE NYLON UNTHREADED SPACERS TO BE SCREWED IN.

MAX DISTANCE FROM TUBE CENTERS TO END OF ALUMINIUM NOTCHED TUBE IS 199mm [7.8"]



NYLON UNTHREADED SPACERS



Zintra Sticks Landscape Transition Installation Instructions

STEP 3

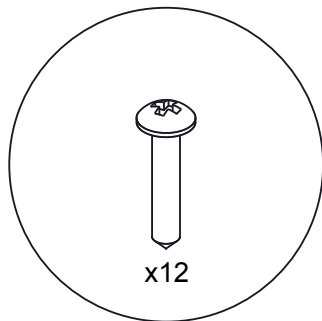
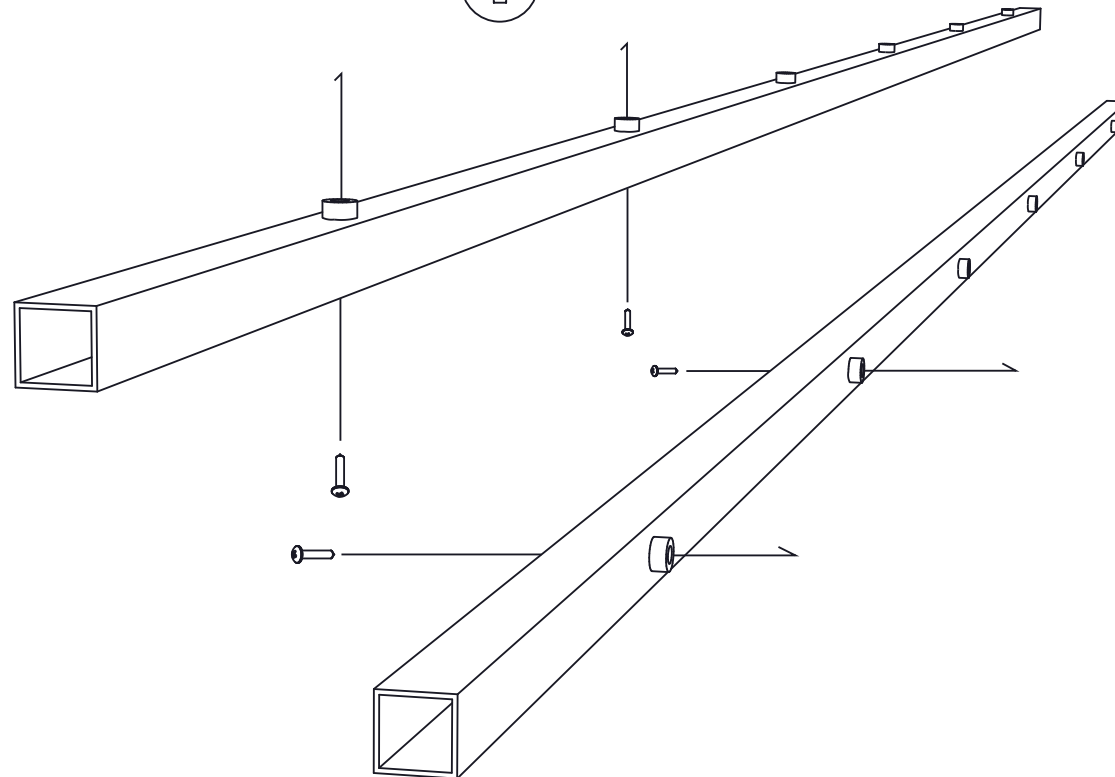
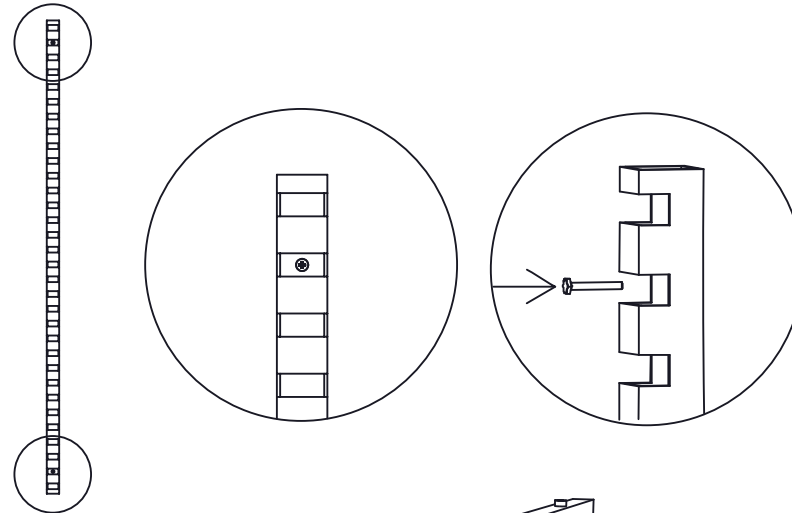
DRILL HOLES IN ALUMINIUM TUBES IN LOCATIONS TO SUIT SUPPORT IN WALL
(STUD LOCATION ETC)

SCREW ALUMINIUM TUBES TO WALL

DRYWALL SURFACE: USE DRYWALL ANCHOR AND SUITABLE SCREW

TIMBER SURFACE: USE SELF TAPPING TIMBER SCREW

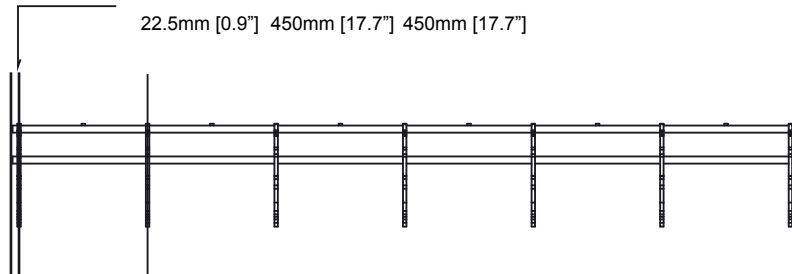
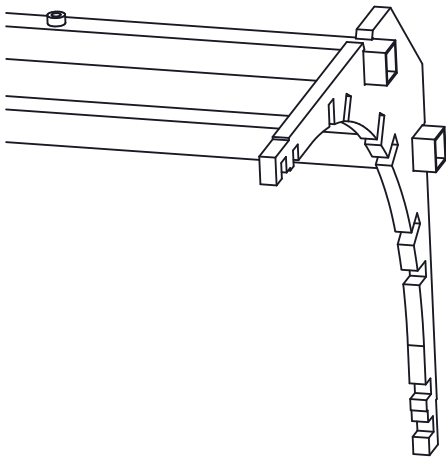
MASONARY SURFACE: USE MASONARY ANCHOR AND SUITABLE SCREW



Zintra Sticks Landscape Transition Installation Instructions

STEP 4

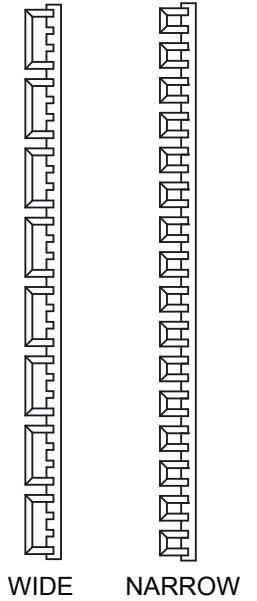
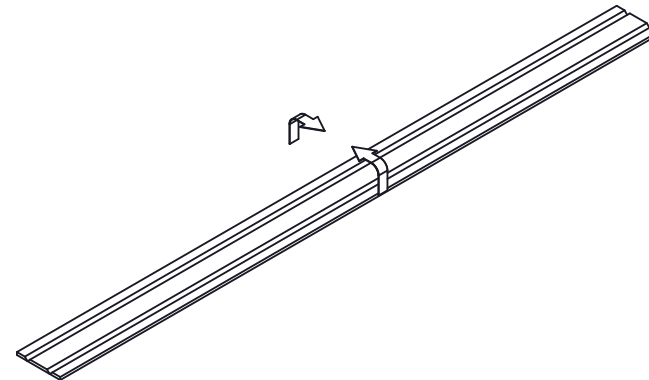
PUSH CORNER SUPPORT PIECES ONTO TUBES.
NOTE: THESE NEED TO BE LOCATED TO LINE UP WITH ALUMINIUM NOTCHES SUPPORTS.
MAX DISTANCE FROM END OF ALUMINIUM TUBE WITHOUT NOTCHES TO CORNER ZINTRA SUPPORT CENTRE IS 22.5mm [0.9"]



MAX DISTANCE BETWEEN CENTRES OF CORNER ZINTRA SUPPORT IS 450mm [17.7"]

STEP 5

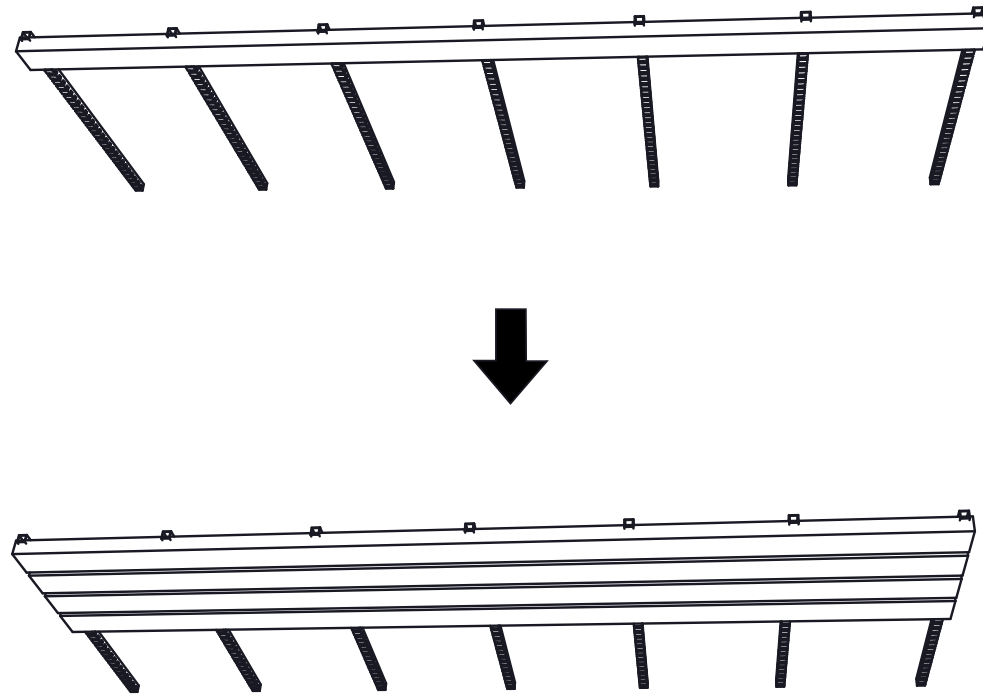
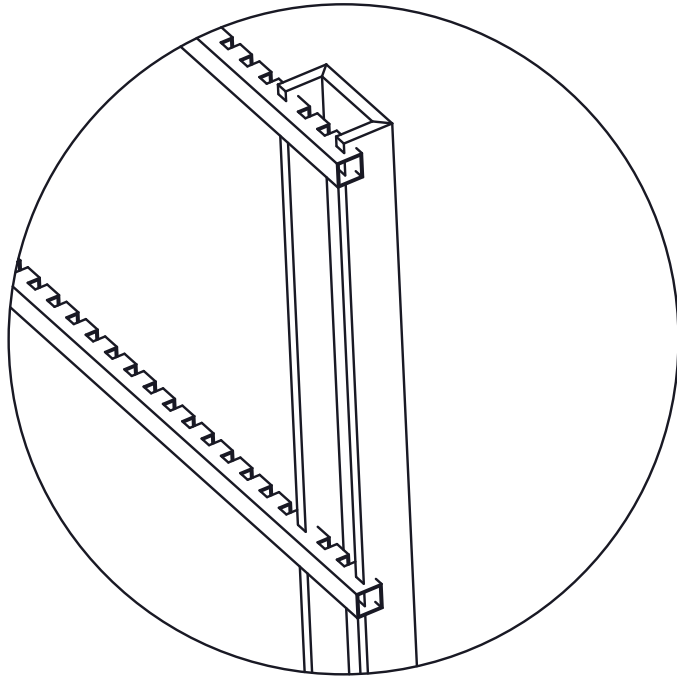
FOLD ZINTRA STICKS (28) FOR WIDE OR (55) FOR NARROW



Zintra Sticks Landscape Transition **Installation Instructions**

STEP 6

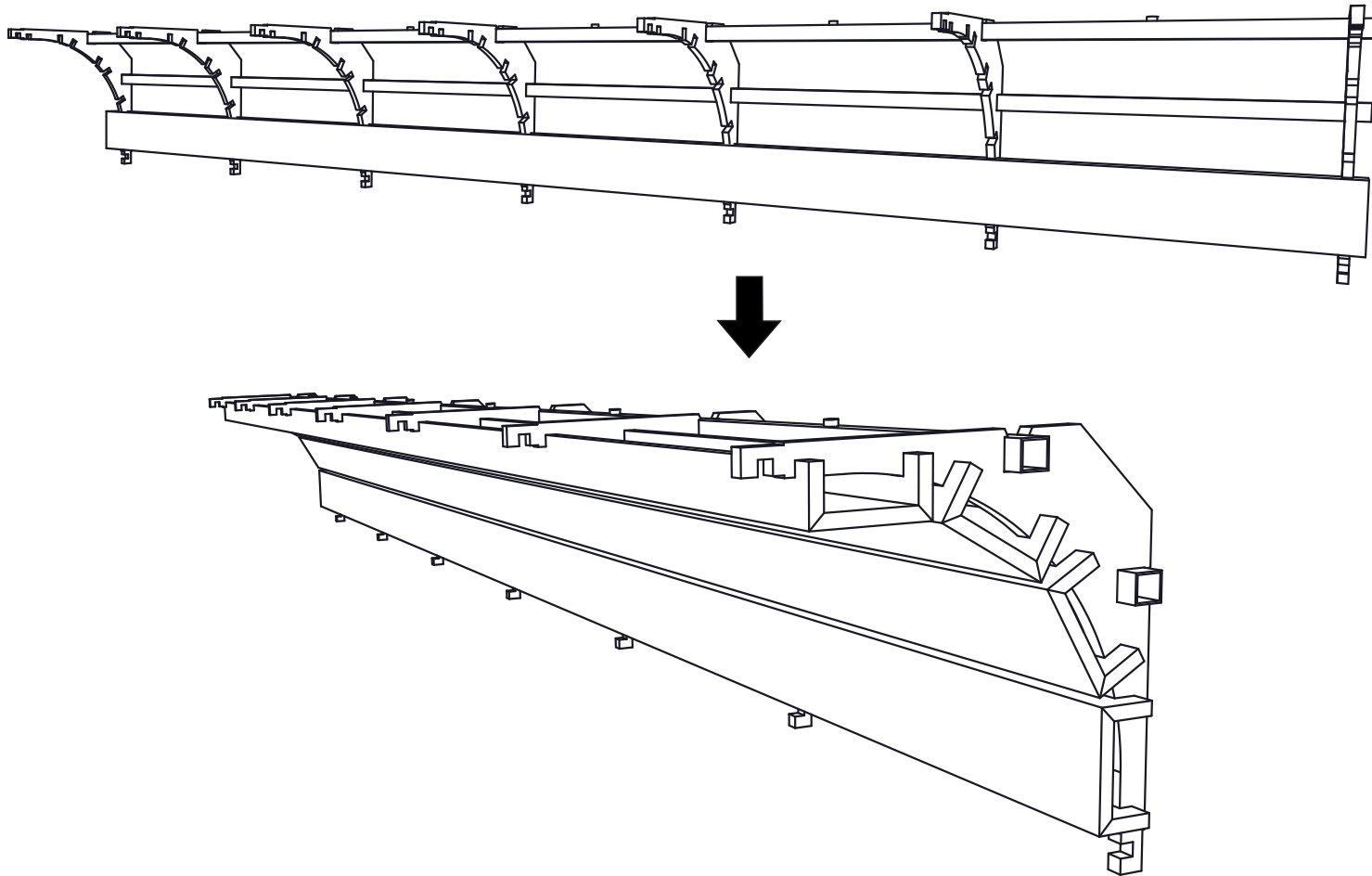
INSERT ZINTRA STICKS INTO TUBE NOTCHES AS SHOWN



Zintra Sticks Landscape Transition **Installation Instructions**

STEP 7

INSERT ZINTRA STICKS INTO CORNER ZINTRA SUPPORT
AS SHOWN



Zintra Sticks Landscape Transition **Installation Instructions**

Finished Assembly

