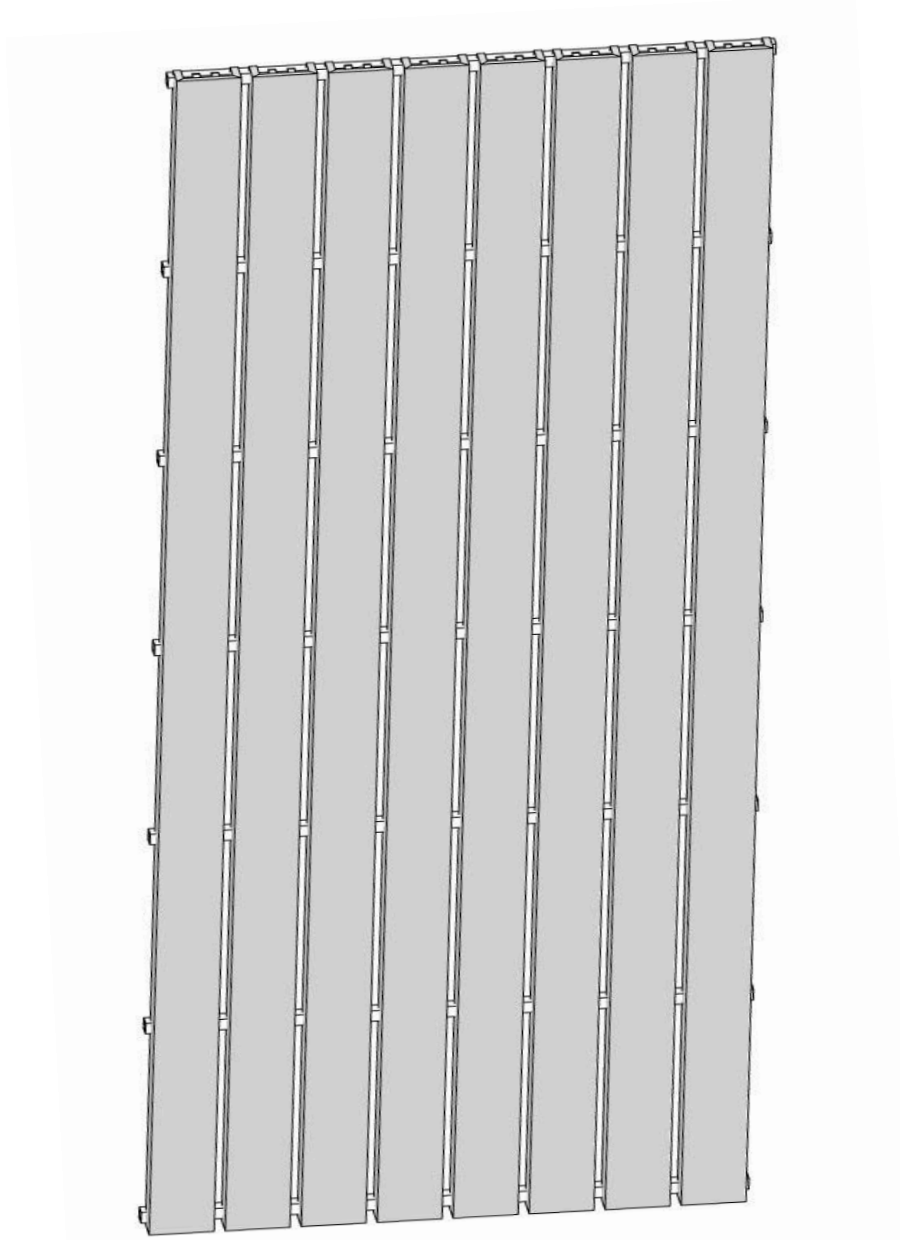


Zintra Sticks Portrait **Installation Instructions**

FINISHED ASSEMBLY

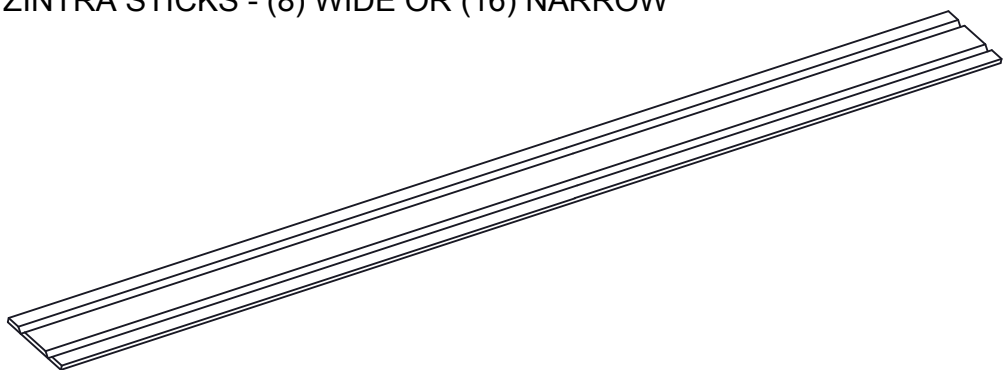


Zintra Sticks Portrait Installation Instructions

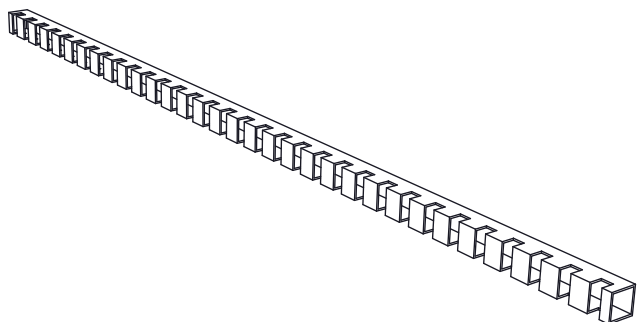
PARTS AND HARDWARE

FOR A TYPICAL ASSEMBLY

ZINTRA STICKS - (8) WIDE OR (16) NARROW



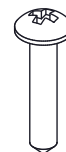
(7) STANDARD ALUMINIUM TUBE WITH NOTCH



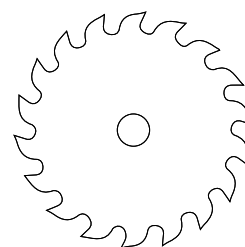
YOU WILL NEED

(14) SUITABLE SCREWS

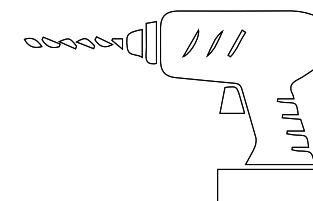
SCREWS ARE NOT INCLUDED - INSTALLER TO SUPPLY BASED ON FIXING SUBSTRATE



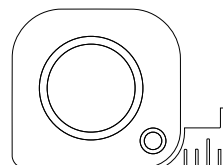
DROP SAW WITH SUITABLE BLADE FOR ALUMINIUM CUTTING



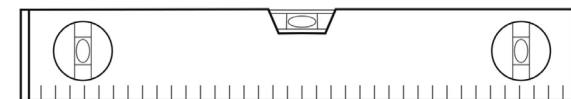
DRILL



TAPE MEASURE



LEVEL



Zintra Sticks Portrait Installation Instructions

STEP 1

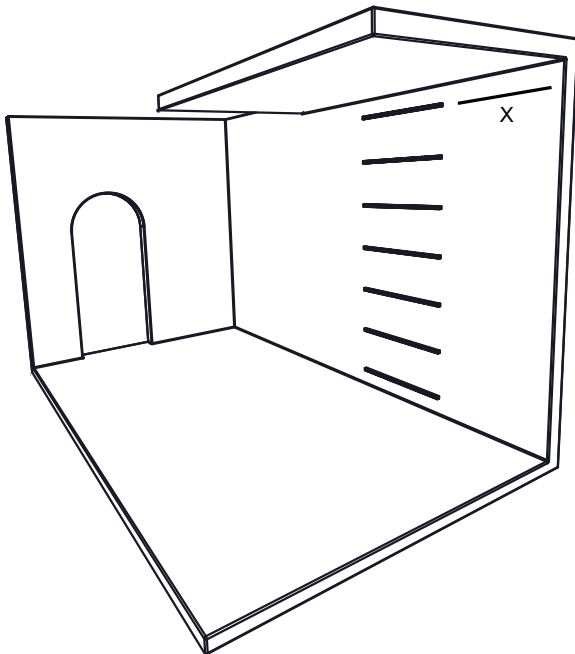
MEASURE THE WIDTH [X] OF THE INSTALL AND CUT THE ALUMINIUM TO SUIT

NOTE: AFTER MEASURING AND MARKING WHERE TO CUT THE ALUMINIUM TUBE, COUNT THE NUMBER OF NOTCHES TO ENSURE IT WILL SUIT THE QUANTITY OF STICKS REQUIRED. FOR EXAMPLE, A WIDE STICK USES 4 NOTCHES, THEREFORE THE NOTCHES IN THE ALUMINIUM TUBE WILL NEED TO EQUAL A MULTIPLE OF 4.

USE A LASER LEVEL OR SPIRIT LEVEL TO MARK ALUMINIUM POSITION ON THE WALL.

MAX DISTANCE FROM TUBE CENTERS IS 450mm [17.71"]

MAX DISTANCE BETWEEN END OF STICK AND FIRST TUBE CENTER IS 150mm [5.9"]



STEP 2

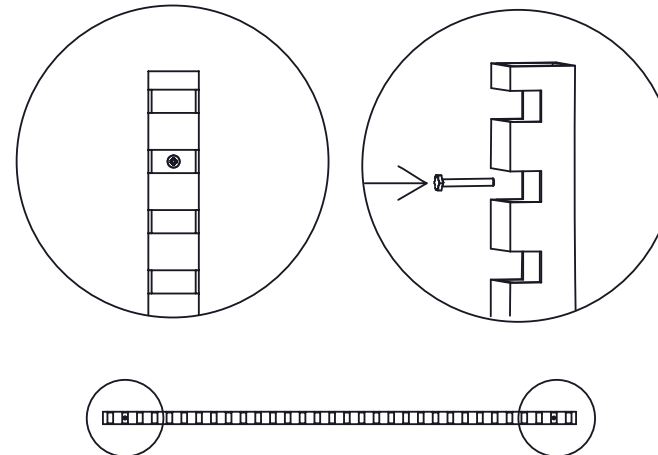
DRILL HOLES IN ALUMINIUM TUBES IN LOCATIONS TO SUIT SUPPORT IN WALL (STUD LOCATION ETC)

SCREW ALUMINIUM TUBES TO WALL

DRYWALL SURFACE: USE DRYWALL ANCHOR AND SUITABLE SCREW

TIMBER SURFACE: USE SELF TAPPING TIMBER SCREW

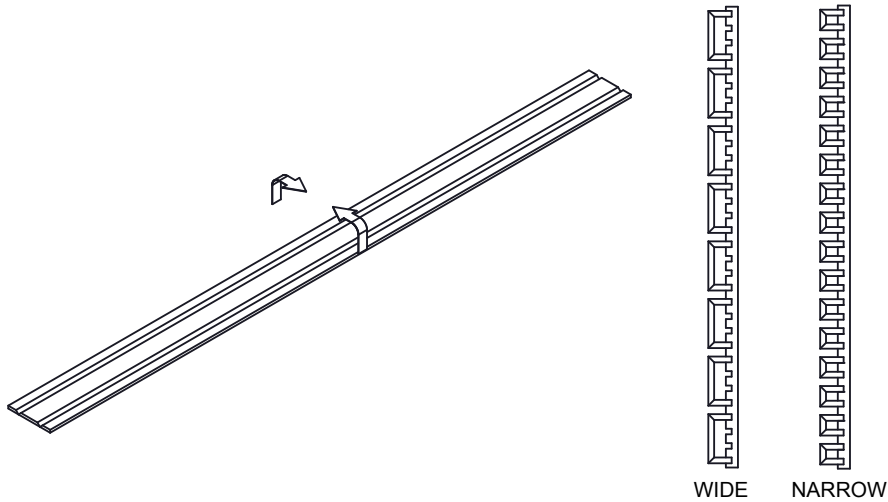
MASONARY SURFACE: USE MASONARY ANCHOR AND SUITABLE SCREW



Zintra Sticks Portrait Installation Instructions

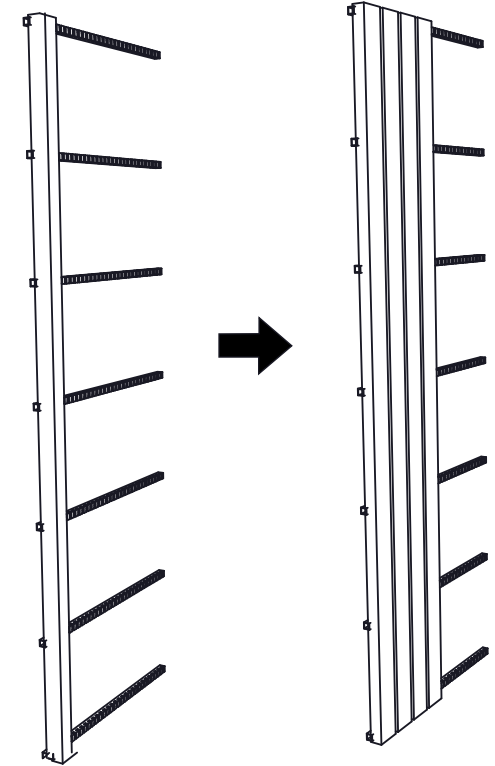
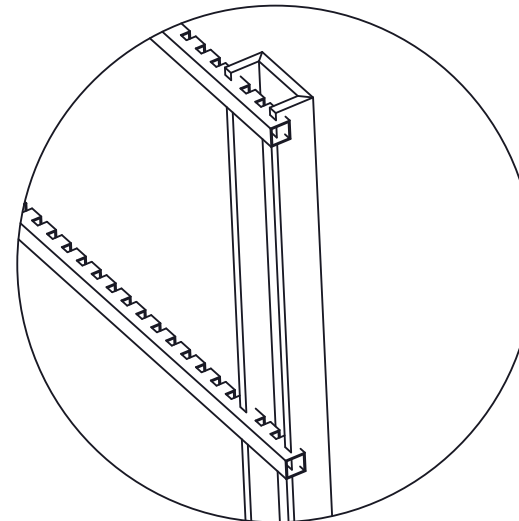
STEP 3

FOLD ZINTRA STICKS (8) FOR WIDE OR (16) FOR NARROW



STEP 4

INSERT ZINTRA STICKS INTO
TUBE NOTCHES AS SHOWN



FINISHED INSTALL

NOTE: CAN ADD STICKS TRIM TO EDGES (SIDES OR BOTTOM) FOR ALTERNATE FINISH

