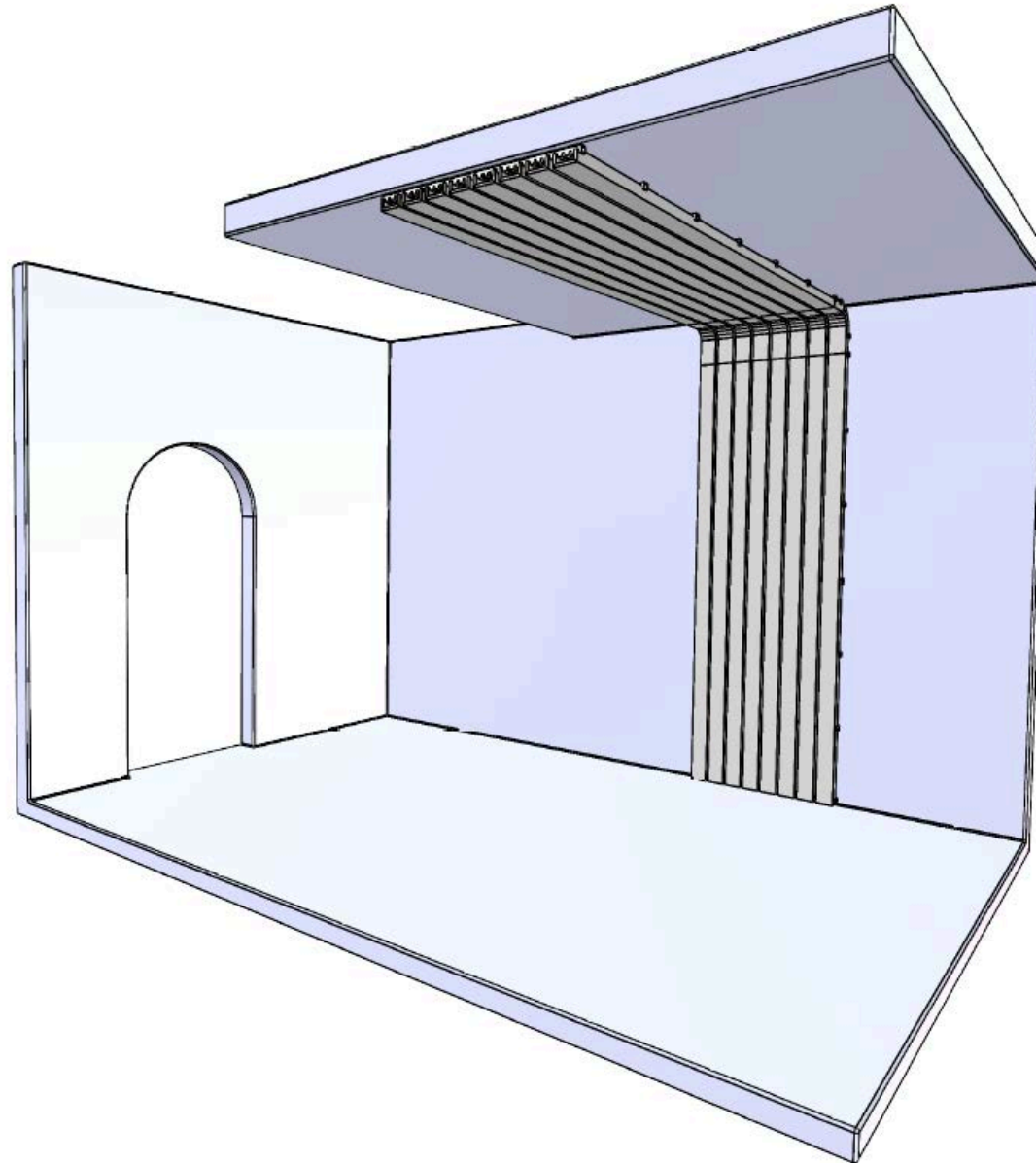


Zintra Sticks Portrait Transition **Installation Instructions**

FINISHED ASSEMBLY

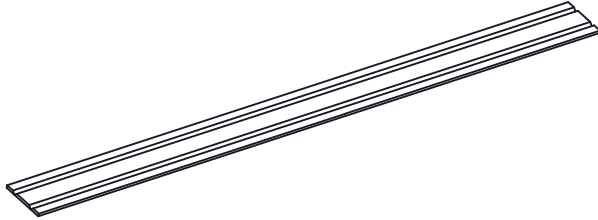


Zintra Sticks Portrait Transition Installation Instructions

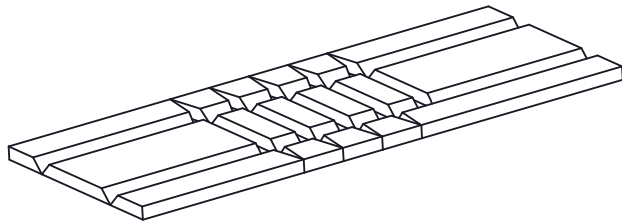
PARTS AND HARDWARE

FOR A TYPICAL ASSEMBLY

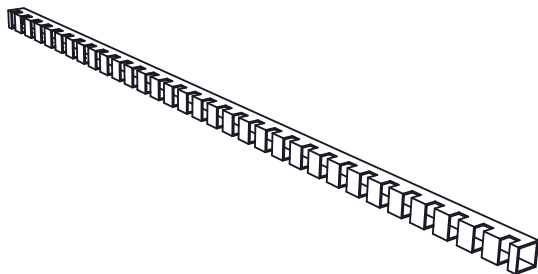
ZINTRA STICKS - (28) WIDE OR (55) NARROW



ZINTRA VERTICAL CORNER STICK - (8) WIDE OR (16) NARROW



(16) STANDARD ALUMINIUM TUBE WITH NOT



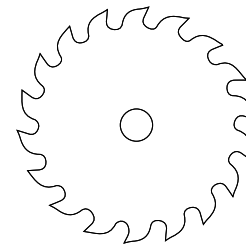
YOU WILL NEED

(14) SUITABLE SCREWS

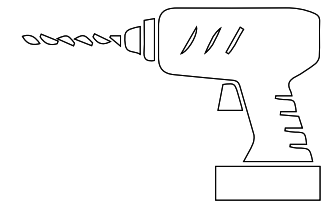
SCREWS ARE NOT INCLUDED - INSTALLER TO SUPPLY BASED ON FIXING SUBSTRATE



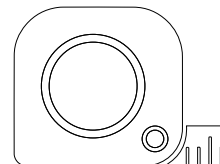
DROP SAW WITH SUITABLE BLADE FOR ALUMINIUM CUTTING



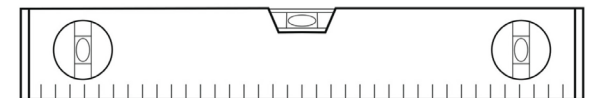
DRILL



TAPE MEASURE



LEVEL



Zintra Sticks Portrait Transition Installation Instructions

STEP 1

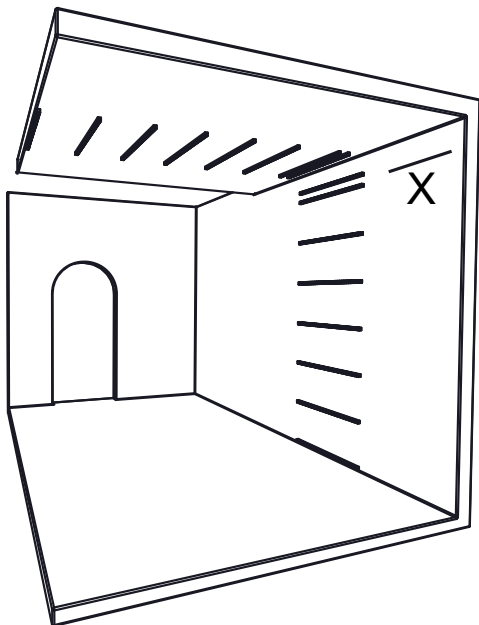
MEASURE THE WIDTH [X] OF THE INSTALL AND CUT THE ALUMINIUM TO SUIT

NOTE: AFTER MEASURING AND MARKING WHERE TO CUT THE ALUMINIUM TUBE, COUNT THE NUMBER OF NOTCHES TO ENSURE IT WILL SUIT THE QUANTITY OF STICKS REQUIRED. FOR EXAMPLE, A WIDE STICK USES 4 NOTCHES, THEREFORE THE NOTCHES IN THE ALUMINIUM TUBE WILL NEED TO EQUAL A MULTIPLE OF 4.

USE A LASER LEVEL OR SPIRIT LEVEL TO MARK ALUMINIUM POSITION ON THE WALL.

MAX DISTANCE FROM TUBE CENTERS IS 450mm [17.71"]

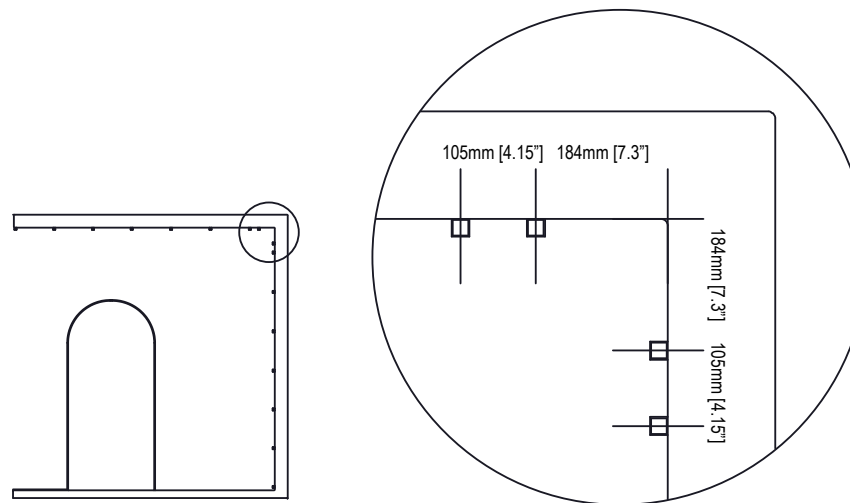
MAX DISTANCE BETWEEN END OF STICK AND FIRST TUBE CENTER IS 150mm [5.9"]



STEP 2

START BY MARKING TUBE LOCATIONS IN THE CORNER OF THE WALL AT A MAXIMUM OF 105mm [4.15"] CENTER SPACING.

CONTINUE BY WORKING FROM THE CORNER TOWARDS THE END OF THE CEILING AND FLOOR.



Zintra Sticks Portrait Transition Installation Instructions

STEP 3

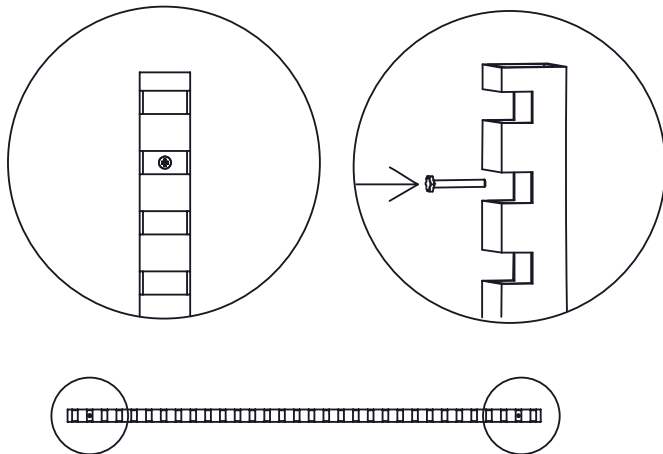
DRILL HOLES IN ALUMINIUM TUBES IN LOCATIONS TO SUIT SUPPORT IN WALL (STUD LOCATION ETC)

SCREW ALUMINIUM TUBES TO WALL

DRYWALL SURFACE: USE DRYWALLANCHOR AND SUITABLE SCREW

TIMBER SURFACE: USE SELF TAPPING TIMBER SCREW

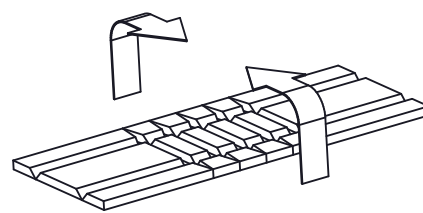
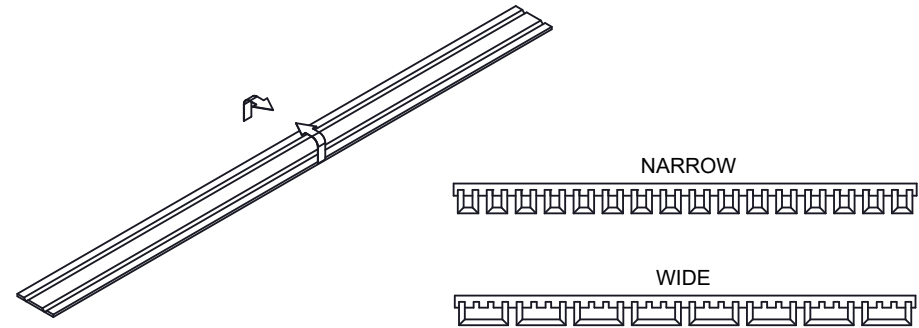
MASONARY SURFACE: USE MASONARY ANCHOR AND SUITABLE SCREW



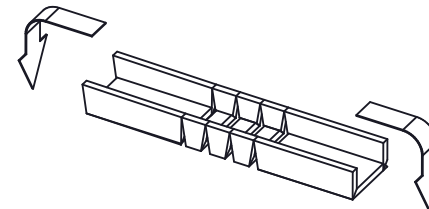
STEP 4

FOLD ZINTRA STICKS (16) FOR WIDE OR (32) FOR NARROW

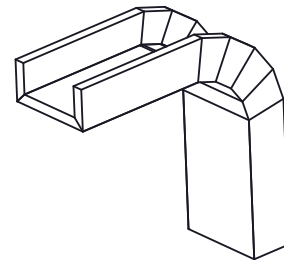
FOLD ZINTRA VERTICAL CORNER STICKS (8) FOR WIDE OR (16) FOR NARROW



①



②

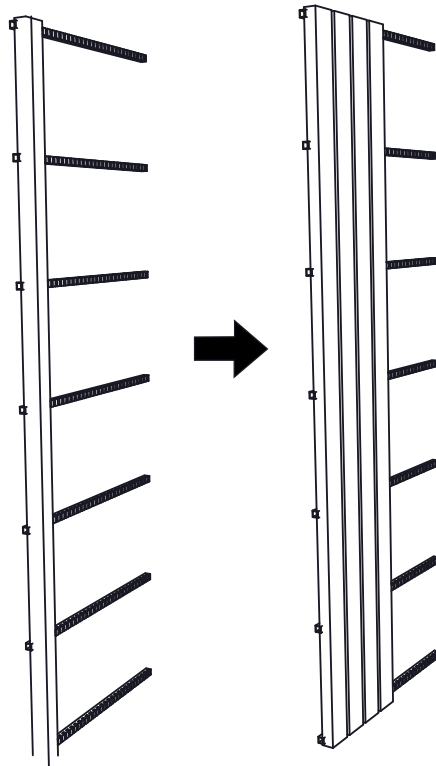
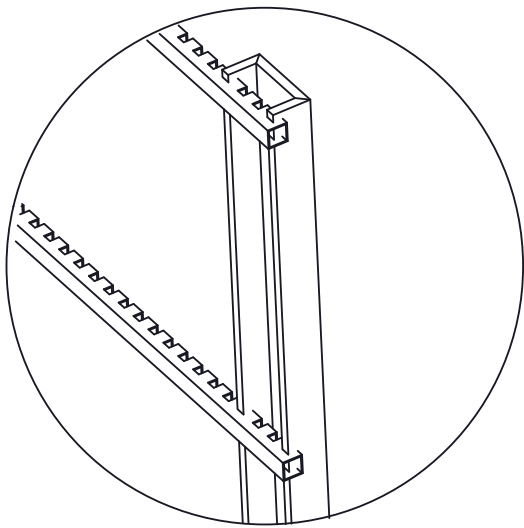


③

Zintra Sticks Portrait Transition Installation Instructions

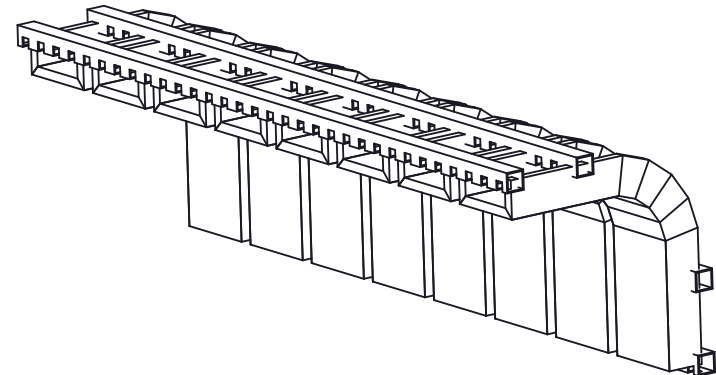
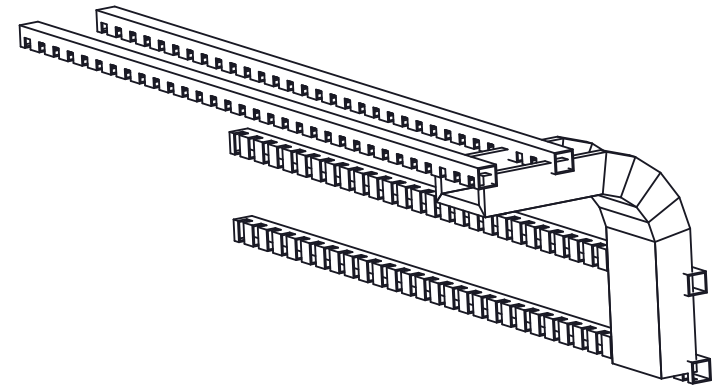
STEP 5

INSERT ZINTRA STICKS INTO
TUBE NOTCHES AS SHOWN



STEP 6

INSERT ZINTRA PORTRAIT TRANSITION STICKS INTO
TUBE NOTCHES AS SHOWN

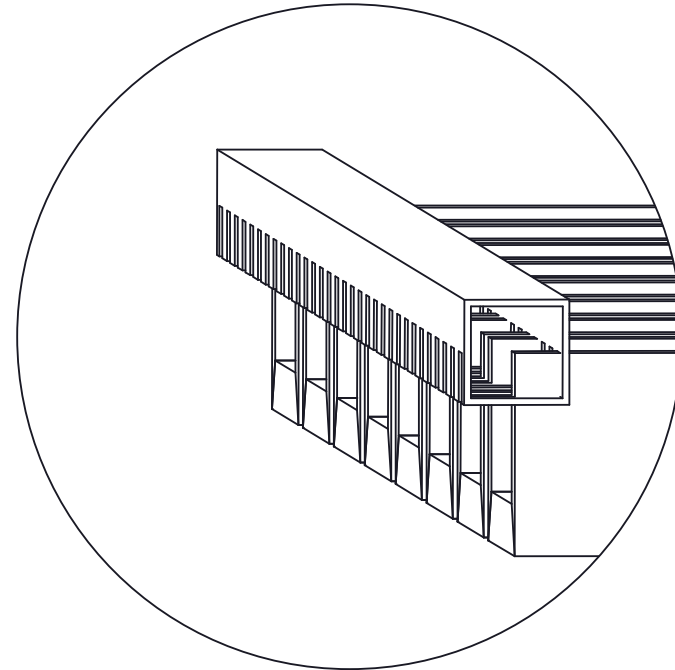
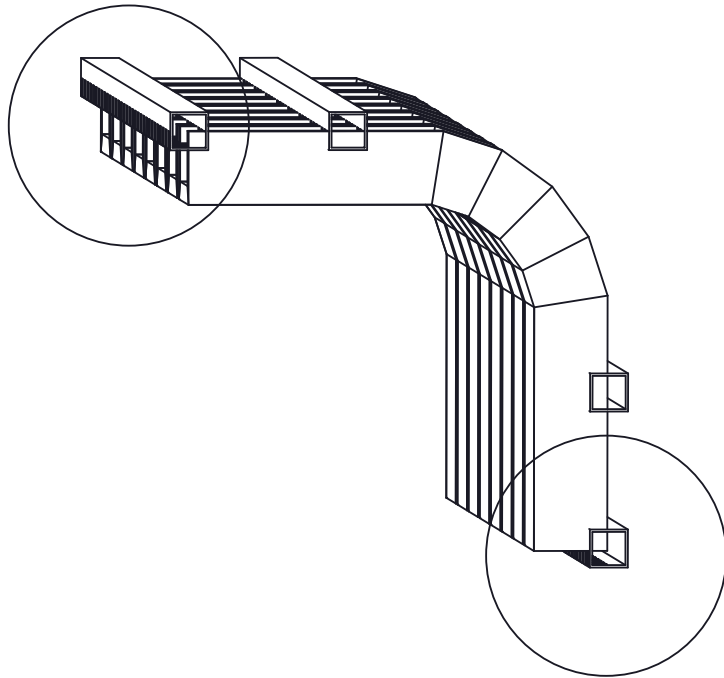


Zintra Sticks Portrait Transition **Installation Instructions**

STEP 7

INSERT ZINTRA STICKS INTO TUBE NOTCHES AS SHOWN

NOTE: ZINTRA PORTRAIT TRANSITION STICK SHARES OUTER TUBE NOTCHES WITH ZINTRA STICKS



Zintra Sticks Portrait Transition **Installation Instructions**

Finished Assembly

